

MOELLER CONTACTOR SUPPRESSOR

Zener diode, 24VDC

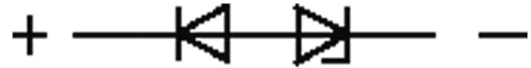
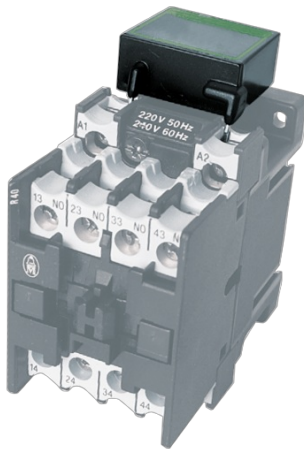
24 V DC

Diode/Z-Diode

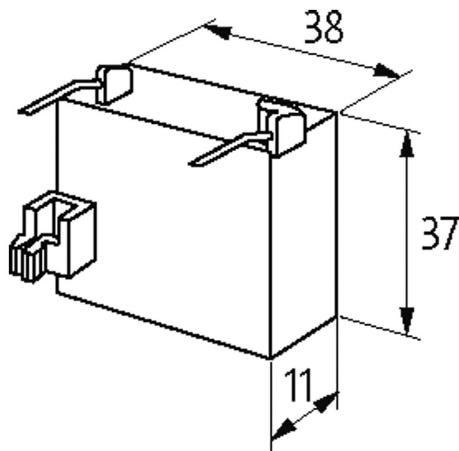
For other configurations and voltages, please inquire.

[Link to Product](#)

Illustration



Diode/Z-Diode



Product may differ from Image



Technical Data

Input voltage	12...30 V DC
Material	Flame retardant plastic acc. to (UL 94)
Connection wires	Plug contact

General data

Temperature range	-20...+70 °C
Dimensions H×W×D	37×38×11 mm

Appropriate contactors

The information in this brochure has been compiled with the utmost care. Liability for the correctness completeness and topicality of the information is restricted to gross negligence. Version: 03/22

DIL 0-2...M, DIL R...

Commercial data

country of origin	CZ
customs tariff number	85363010
EAN	4048879018401
eClass	27371013
Packaging unit	1.000