

T-coupler M12 female / M12 male - female PROFIBUS

T-coupler

Female straight – female/male straight

M12 – M12, 5-pole

B-coded

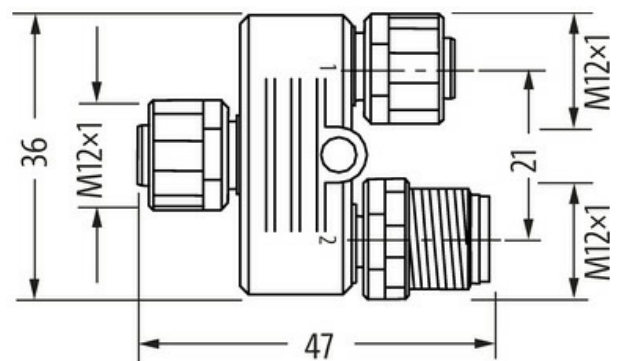
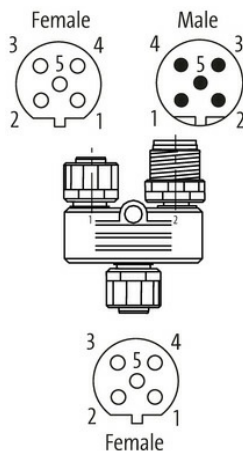
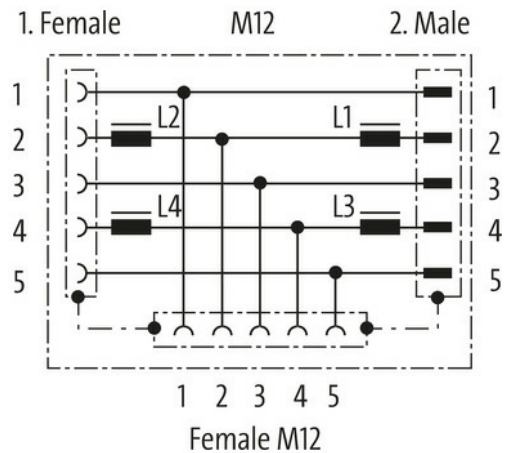
shielded

Plastic housings with good resistance against chemicals and oils.

The resistance to aggressive media should be individually tested for your application. Further details on request.

[Link to Product](#)

Illustration



Product may differ from Image



Form

Form 44161

Technical Data

Operating voltage 5 V DC (via the fieldbus device)

Operating current per contact max. 12.5 mA

No. of poles	5
Transfer rate	12 Mbps
Material group	IEC 60664-1, category I
Coding	B-coded
Locking of ports	Screw thread (M12×1 mm) recommended torque 0.6 Nm, self-securing
Compression gland	M12 (SW13)
Protection	IP67 inserted and tightened (EN 60529)
Locking material	Zinc die casting, matte nickel plated

General data

Mounting method	inserted, tightened
Pollution Degree	3
Temperature range	-25...+85 °C

Commercial data

country of origin	DE
customs tariff number	85366990
EAN	4048879141406
eClass	27143423
Packaging unit	1.000