

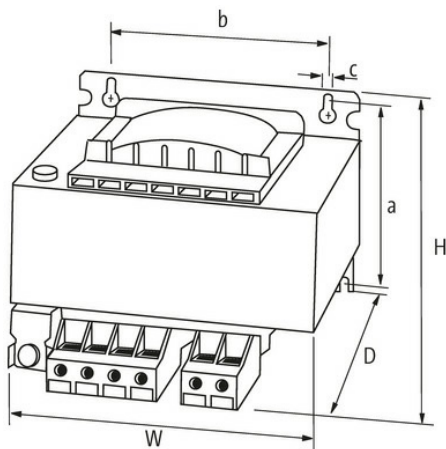
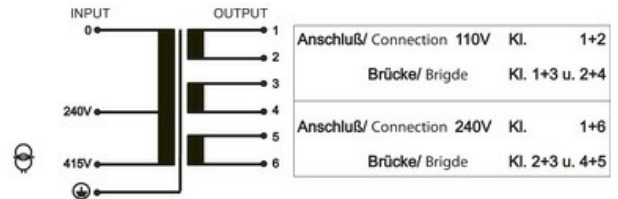
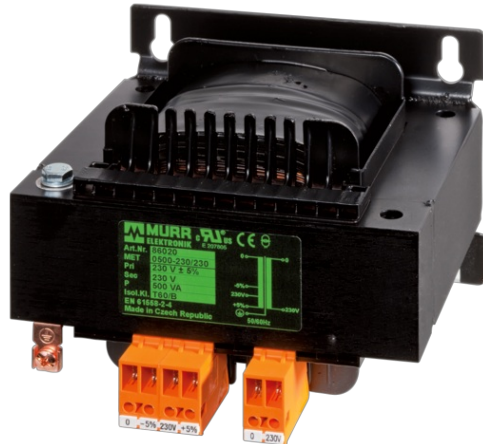
MET 1-PHASE CONTROL AND ISOLATION TRANSFORMER

P: 800VA IN: 240-415VAC OUT: 110-110-20VAC

Single-phase - Control and Isolation Transformers
800 VA

[Link to Product](#)

Illustration



Product may differ from Image



General data

Standards	EN 61558-1, EN 61558-2-4, EN 62041 category 0
Mounting method	Key-hole mounting
Temperature range	-20...+60 °C (storage temperature -40...+80 °C)
Test isolation voltage	4 kV (prim./sec.)
Drill hole Ø	7×11 mm
Fixing centers a×b×c	92×135×7 mm
Dimensions H×W×D	118×174×148 mm

Output	
Output voltage	110/240 V AC
Output rating	800 VA
Input	
Input voltage	240/415 V AC
Inrush current	92.8 A (240 V AC); 49.12 A (415 V AC)
Short-circuit current	87.8 A (240 V AC); 50.4 A (415 V AC)
Input current	3.75 A (240 V AC); 2.15 A (415 V AC)
Frequency	50...60 Hz
Commercial data	
country of origin	CZ
customs tariff number	85043180
EAN	4048879078917
eClass	27031302
Packaging unit	1.000