

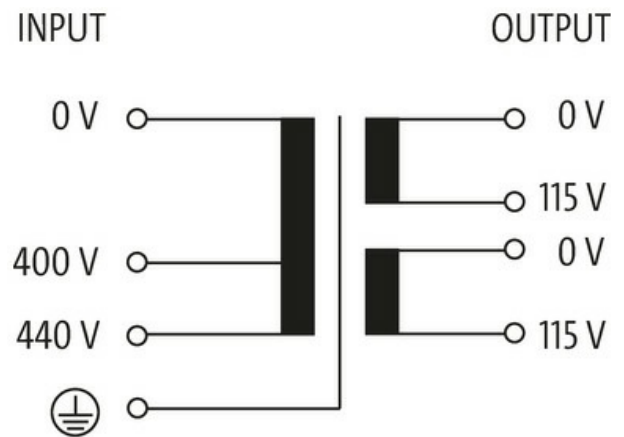
MST SINGLE-PHASE CONTROL AND ISOLATION TRANSFORMER

P:630VA IN:400/440VAC OUT:115/230VAC

Single-phase - Control and Isolation Transformers
630 VA
Isolation class T 40/B
Other voltages on request.

[Link to Product](#)

Illustration



Product may differ from Image

General data

Standards	EN 61558-2-4, EN 62041 category 0
Mounting method	Key-hole mounting
Temperature range	-20...+40 °C (storage temperature -40...+80 °C)
Test isolation voltage	5.9 kV
Drill hole Ø	7x14 mm
Fixing centers a×b×c	90.6×122×7 mm
Dimensions H×W×D	113×150×145 mm

Output

Output voltage	1× 230, 1× 115, 2× 115 V AC
Output rating	630 VA

Input	
Input voltage	400, 440 V AC
Inrush current	15 A (400 V AC); 13.6 A (440 V AC)
Short-circuit current	39 A (400 V AC); 36 A (440 V AC)
Input current	1.72 A (400 V AC); 1.56 A (440 V AC)
Frequency	50...60 Hz
Commercial data	
country of origin	CZ
customs tariff number	85043180
EAN	4048879336017
eClass	27031202
Packaging unit	1.000