

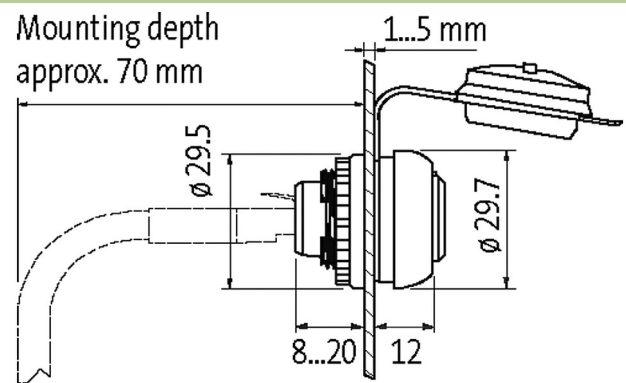
MSDD INSTALLATION SOCKET RJ45 CAT5e femal/femal

Pass-through

1 × RJ45, 8-pole CAT5e (female/female)

[Link to Product](#)

Illustration



Product may differ from Image



Technical Data

Operating voltage	24 V AC
Operating current	max. 1.5 A
Specification	RJ45 Cat 5e female/female shielded
Mounting depth mounted	approx. 19 mm

General data

Shielded	yes
Cut-out	Ø 22.5 mm
Protection	IP65
Dimensions H×W×D	29.5×29.5×29 mm

Commercial data

country of origin	CZ
customs tariff number	85366990
EAN	4048879031189
eClass	27143423
Packaging unit	1.000