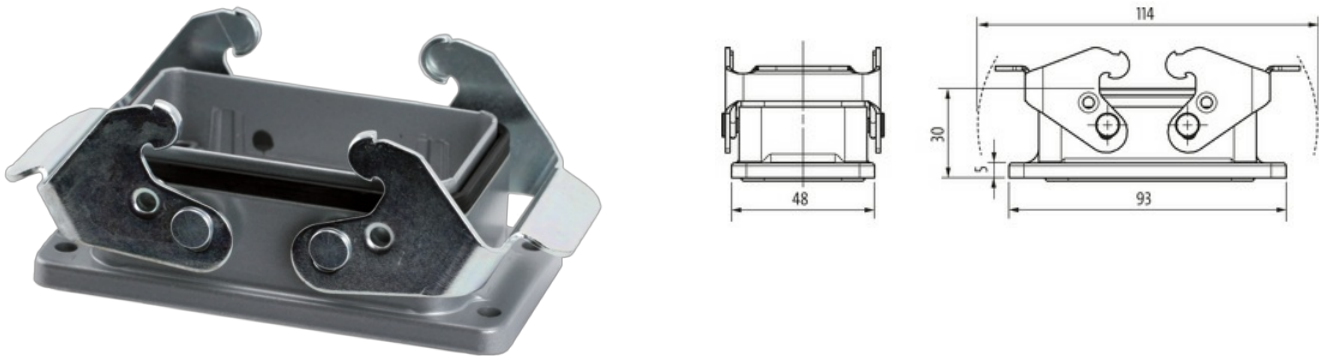


**B10 Bulkhead mounted h., IP67**

Double locking lever m.

B10  
Bulkhead mounted housing  
Double locking lever  
IP67

Technical data will be only guaranteed with Murrelektronik components.

**[Link to Product](#)****Illustration**

Product may differ from Image

**Technical Data**

Mating cycles	min. 500
Locking of ports	Double locking lever
Protection (housing)	IP67 inserted and tightened (EN 60529)

**General data**

Material (gasket)	NBR
Temperature range	-40...+100 °C
Material (housing)	Aluminum die-cast
Housing type	Bulkhead mounted housing
Size	B10
Locking material	Steel (galvanized)
Climatic category	40/100/21 (EN 60068-1)
Material (housing surface)	powder-coated
Dimensions H×W×D	30×43×93 mm

**Commercial data**

country of origin	CZ
customs tariff number	85389099
EAN	4048879647236
eClass	27143424
Packaging unit	1.000