

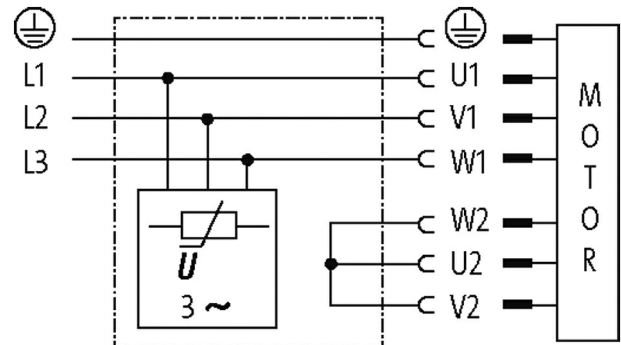
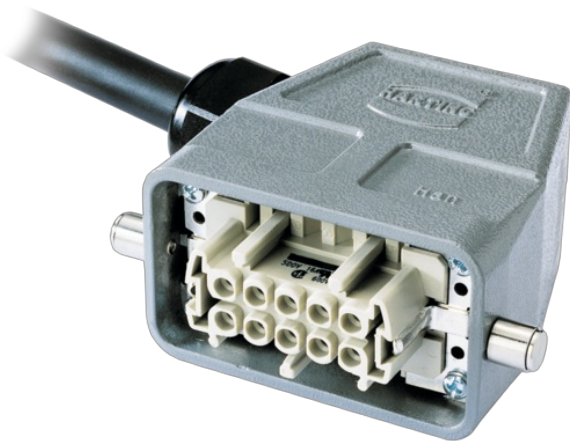
PLUGABLE MOTOR SUPPRESSOR

Varistor, 3x575VAC/5,5kW

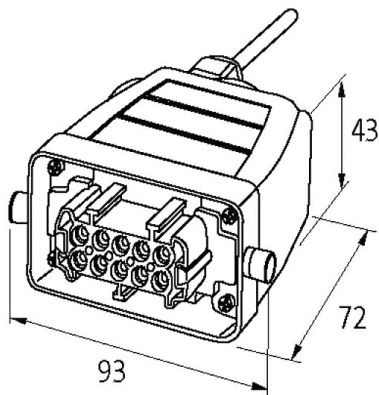
3× 575 V AC
VDR/star
10.0 m

Link to Product

Illustration



Varistor-suppression (star)



(without compression gland)

Product may differ from Image

Technical Data

Input voltage	400...575 V AC
Housing	Aluminum die-cast (powder-coated)
Operating frequency	10...400 Hz
Plug connector	Females, 10-pole + PE
Cable length	10.0 m

General data

Temperature range	-20...+60 °C
Connection	PUR cable black, 4× 1.5 mm ² , numbered wires, DESINA conform
Dimensions H×W×D	43×93×72 mm

Commercial data

country of origin	CZ
-------------------	----

customs tariff number	85363010
EAN	4048879015127
eClass	27371013
Packaging unit	1.000