

B10 male 10-pole, Push-in, 500 V, 16 A

E-Series

B10

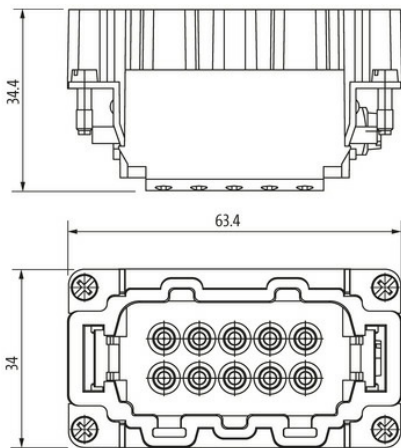
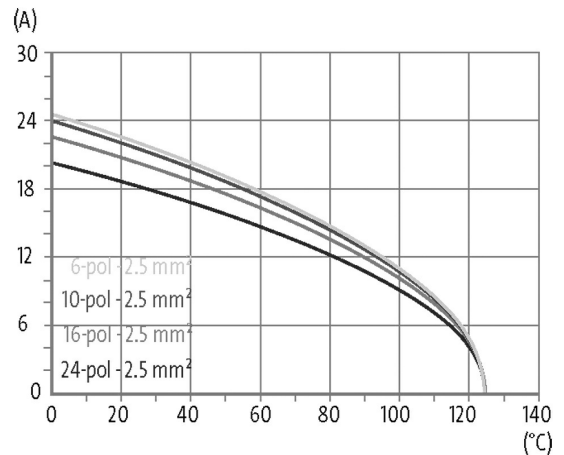
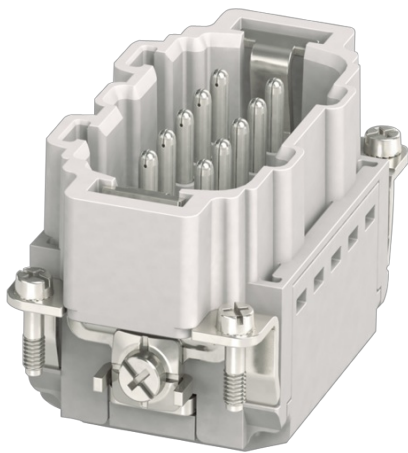
Male

10-pole

Push-In terminals

Technical data will be only guaranteed with Murrelektronik components.

Please use wire end ferrule.

[Link to Product](#)**Illustration**

Product may differ from Image

**Technical Data**

Operating voltage	500 V AC/DC
Rated surge voltage	6.0 kV
Operating current	16 A
No. of poles	10 + PE
Mating cycles	min. 500

Connection	Push-In terminals
Connection cross section	0.14...2.5 mm ² (AWG 26...14)
Stripping length	8...10 mm
Over voltage category	III

General data

Material (contact)	Brass
Material (contact surface)	Ag
Pollution Degree	3
Temperature range	-40...+125 °C
Material (contact carrier)	PC
Flammability class	V-0 (acc. to UL 94)
Size	B10
Type	Male
Climatic category	40/125/10
Dimensions H×W×D	33.7×33.9×63.4 mm

Cables

Current load capacity	see derating curve
-----------------------	--------------------

Commercial data

country of origin	CN
customs tariff number	85389099
EAN	4048879664486
eClass	27143424
Packaging unit	1.000