

MVK-MPNIO F DI8/4 F DO4 7/8" IRT

MVK ProfiNet/PROFIsafe Compact module, metal,

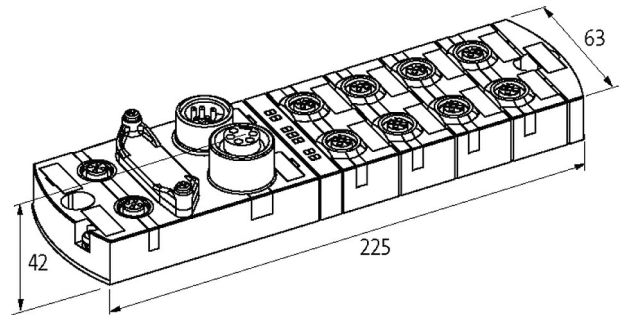
safe inputs/outputs up to cat.4/PLe (EN ISO 13849-1), up to SIL3 (IEC 61508), up to SILCL3 (IEC 62061)

FDI8/4 DO4 (IRT)

Ethernet 10/100 Mbit/s; M12, D-coded

7/8", 5-pole, 2× max. 9 A

M12, 5-pole, A-coded

Link to Product**Illustration**

Product may differ from Image

**General data**

Mounting method	2-hole screw mounting
Temperature range	-20...+55 °C (storage temperature -40...+70 °C)
Protection	IP67
Dimensions H×W×D	44×63×225 mm

Connections

Fieldbus	Ethernet 10/100 Mbit/s; M12, D-coded
Sensor-system/actuator supply	7/8", 5-pole, 2× max. 9 A
I/O ports	M12, 5-pole, A-coded

PROFINET

Specification	V2.2, Conformance Class C (IRT)
Addressing	DCP
MRP	yes
Shared Device	yes, for 2 controls

Diagnostic

Communication status	via LED
Diagnostic via LED	per module and channel
Diagnostic via BUS	per module and channel
Actuator warning	per channel via LED and BUS
Monitoring - under voltage	yes
Monitoring - no voltage	yes
Short-circuit and overload	yes
Cross-link detection	Sensor/Actuator
Wire break detection	yes

Commercial data	
country of origin	DE
customs tariff number	85389099
EAN	4048879570763
eClass	27242604
Packaging unit	1.000