

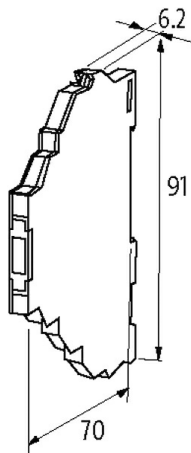
MIRO IMPULSE EXTENSION MODULES

IN: 24 VDC - OUT: 24 VDC / 0.1 A

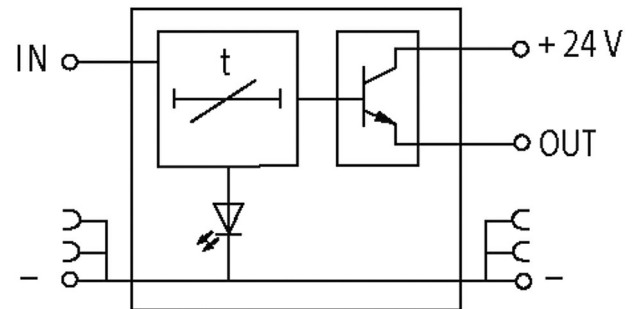
Transistor output
Impulse expansion: 0.1...10 s
Spring clamp terminals

[Link to Product](#)

Illustration



Product may differ from Image



General data

Mounting method	DIN-rail mountable (EN 60715)
Temperature range	0...+60 °C
Test isolation voltage	no galvanic separation
Dimensions H×W×D	91×6.2×70 mm

Output

Switching voltage	Operating voltage -1.5 V
-------------------	--------------------------

Switching current per output max. 100 mA

Input

Input voltage 19...29 V DC

Control voltage 16...32 V DC

Impulse length min. 0.5 ms

Time range 0.1...10 s

Commercial data

country of origin CZ

customs tariff number 85437090

EAN 4048879021913

eClass 27371790

Packaging unit 1.000