

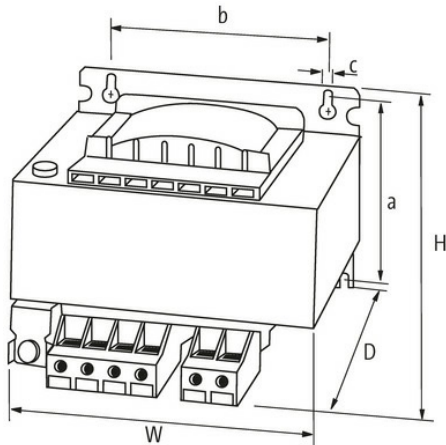
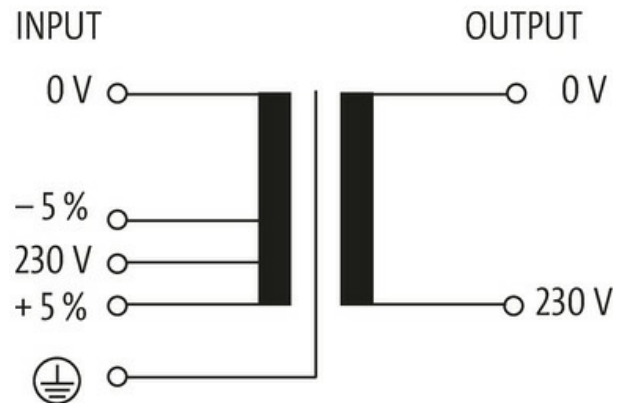
## MET 1-PHASE CONTROL AND ISOLATION TRANSFORMER

P: 630VA IN: 230VAC+/- 5% OUT: 230VAC

Single-phase - Control and Isolation Transformers  
630 VA  
Isolation class T 60/B

### [Link to Product](#)

#### Illustration



Product may differ from Image



#### General data

Standards	EN 61558-1, EN 61558-2-4, EN 62041 category 0
Mounting method	Key-hole mounting
Temperature range	-20...+60 °C (storage temperature -40...+80 °C)
Test isolation voltage	4 kV (prim./sec.)
Drill hole Ø	7×11 mm
Fixing centers a×b×c	107.5×122×7 mm
Dimensions H×W×D	129×150×148 mm

The information in this brochure has been compiled with the utmost care.  
Liability for the correctness completeness and topicality of the information is restricted to gross negligence. Version: 03/22

Output	
Output voltage	230 V AC
Output rating	630 VA
Input	
Input voltage	230 V AC $\pm$ 5%
Inrush current	75.6 A (230 V AC)
Short-circuit current	82.3 A (230 V AC)
Input current	2.98 A (230 V AC)
Frequency	50...60 Hz
Commercial data	
country of origin	CZ
customs tariff number	85043180
EAN	4048879079006
eClass	27031302
Packaging unit	1.000