

UNIVERSAL CONTACTOR SUPPRESSOR

RC, 230VAC/DC/25VA/W

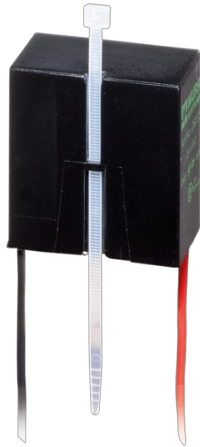
230 V AC/DC

RC

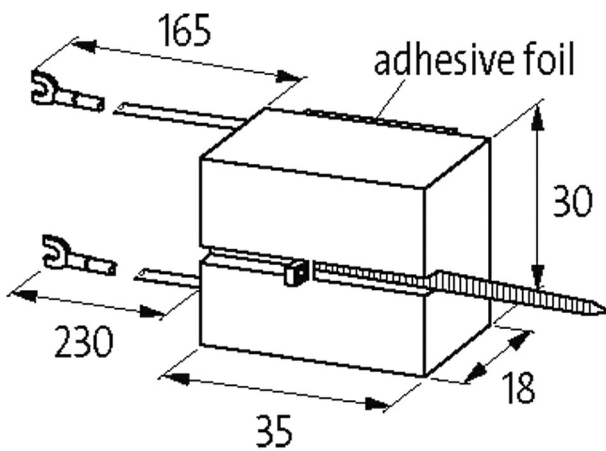
For other configurations and voltages, please inquire.

[Link to Product](#)

Illustration



RC



Product may differ from Image



Technical Data

Input voltage	110...250 V AC/DC
Material	Flame retardant plastic acc. to (UL 94)
Damping factor	approx. 1.5× UN
Connection wires	self-securing cable forks
max. power (W)	25 W (VA)

General data

Temperature range	-20...+70 °C
-------------------	--------------

The information in this brochure has been compiled with the utmost care.
Liability for the correctness completeness and topicality of the information is restricted to gross negligence. Version: 03/22

Dimensions H×W×D 35×30×18 mm

Appropriate contactors

universal

Commercial data

country of origin	CZ
customs tariff number	85363010
EAN	4048879020640
eClass	27371013
Packaging unit	1.000