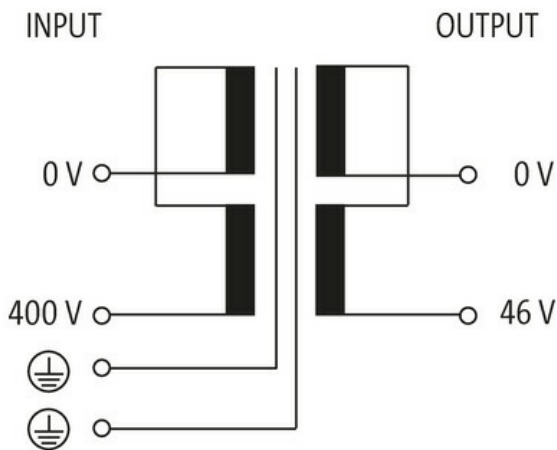


MST SINGLE-PHASE SAFETY TRANSFORMER

P:1070VA IN:400VAC OUT:46VAC

Single-phase safety transformer
1070 VA
Isolation class T 40/B
Motor protection switch

[Link to Product](#)**Illustration**

Product may differ from Image

General data

Standards	EN 61558-2-6, EN 62041 category 0
Mounting method	Long-hole mounting
Temperature range	-20...+40 °C (storage temperature -40...+80 °C)
Test isolation voltage	5.8 kV (prim./sec.)
Drill hole Ø	M8
Fixing centers a×b×c	88×176 mm×M8
Dimensions H×W×D	95×175×220 mm

Output

Output voltage	46 V AC
Output rating	1070 VA

Input

Input voltage	400 V AC
Inrush current	35 A (400 V AC)
Short-circuit current	76 A (400 V AC)
Input current	2.9 A (400 V AC)
Frequency	50...60 Hz

Commercial data

country of origin	CZ
customs tariff number	85043200
EAN	4048879317917
eClass	27031202
Packaging unit	1.000