

CUBE67 I/O EXTENSION MODULE K3

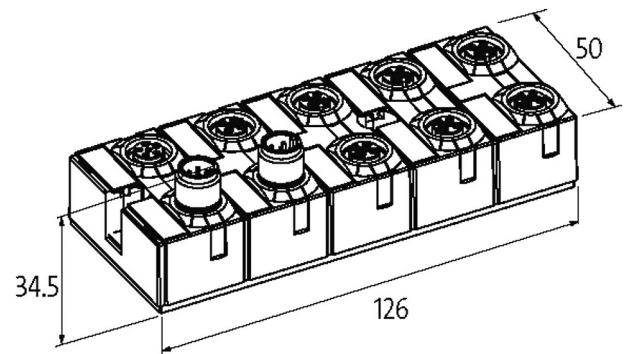
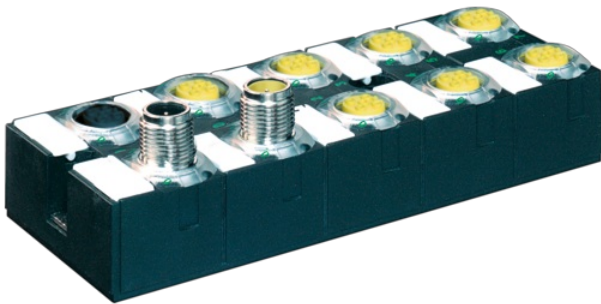
12 digital, passive safety outputs

Expansion module - Safety
DO6 DO6 (E) - 6x M12 (K3)

Connection cables are in the online shop under "Connection Technology".
Housing fully potted.

Link to Product

Illustration



Product may differ from Image



General data

Mounting method	2-hole screw mounting
Temperature range	0...+55 °C (storage temperature -20...+70 °C)
Protection	IP67
Dimensions HxWxD	126x50x34.5 mm

Output

Actuator supply UA	24 V DC (EN 61131-2), 2 circuits, (max. 2x 4 A)
Switching current per output	max. 1.6 A (short-circuit and overload protected)

Internal communication

LED display	US: sensor supply and internal supply voltage (green: OK); UA: actuator supply (green: OK)
Current consumption	max. 50 mA

Connections

Fieldbus	via internal system connection
Sensor-system/actuator supply	via internal system connection (max. 1x 4 A) / actuators via external cable (max. 4x 2 A)
I/O ports	M12 (female) 5-pole, A-coded

Diagnostic

Communication status	via LED
Diagnostic via LED	per module and channel
Diagnostic via BUS	per module and channel
Actuator warning	per channel via LED and BUS
Monitoring - under voltage	yes
Monitoring - no voltage	yes
Short-circuit and overload	yes

Commercial data

The information in this brochure has been compiled with the utmost care.
Liability for the correctness completeness and topicality of the information is restricted to gross negligence. Version: 03/22

country of origin	DE
customs tariff number	85389099
EAN	4048879048569
eClass	27242604
Packaging unit	1.000