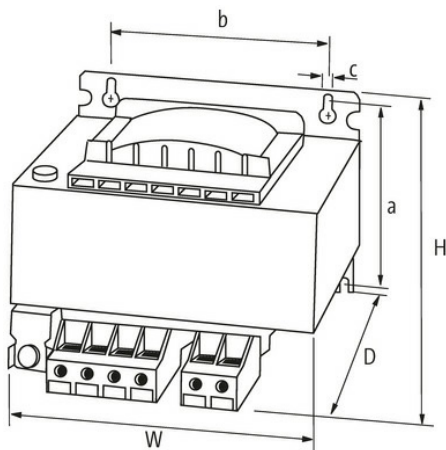
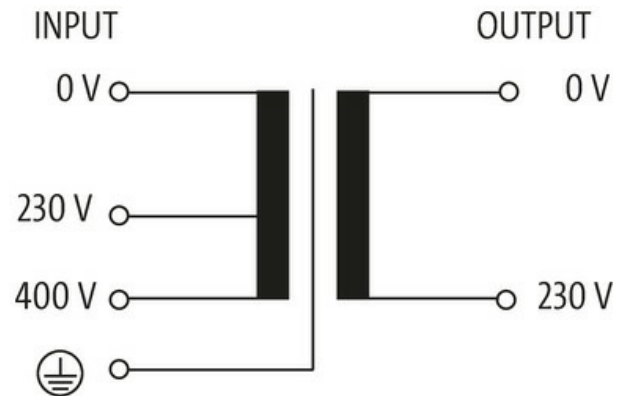


**MST 1-PHASE CONTROL AND ISOLATION TRANSFORMER**

P: 320VA IN: 230/400VAC OUT: 230VAC

Single-phase - Control and Isolation Transformers  
 320 VA  
 Spring clamp terminals  
 Isolation class T 40/B  
 Other voltages on request.

[Link to Product](#)**Illustration**

Product may differ from Image

**General data**

Standards	EN 61558-1, EN 61558-2-4, EN 62041 category 0
Mounting method	Key-hole mounting
Temperature range	-20...+40 °C (storage temperature -40...+80 °C)
Test isolation voltage	4 kV (prim./sec.)
Drill hole Ø	5.8x10 mm

The information in this brochure has been compiled with the utmost care.  
 Liability for the correctness completeness and topicality of the information is restricted to gross negligence. Version: 03/22

Fixing centers a×b×c	74.4×90×5.8 mm
Dimensions H×W×D	92.2×120×122.4 mm

**Output**

Output voltage	230 V AC
Output rating	320 VA

**Input**

Input voltage	230/400 V AC
Inrush current	17.5 A (230 V AC); 10.1 A (400 V AC)
Short-circuit current	28 A (230 V AC); 16.1 A (400 V AC)
Input current	1.52 A (230 V AC); 0.88 A (400 V AC)
Frequency	50...60 Hz

**Commercial data**

country of origin	CZ
customs tariff number	85043180
EAN	4048879066242
eClass	27031302
Packaging unit	1.000