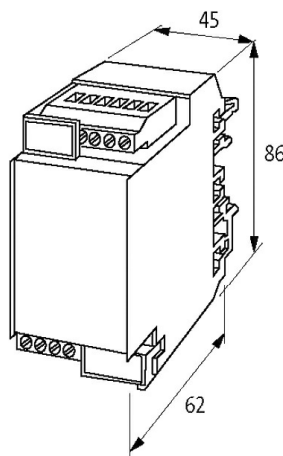
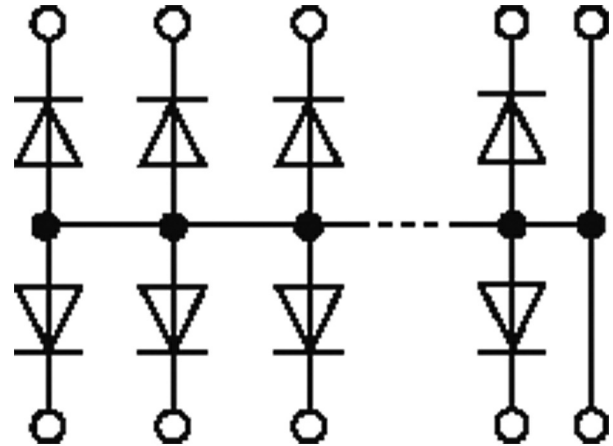


MKS - D 20/1300-1 M DIODE MODULES

Mounting rail / screw-type terminal

20 diodes

Common potential anode

[Link to Product](#)**Illustration**

Product may differ from Image

Technical Data

Operating voltage max. 48 V AC/DC

General data

Mounting method DIN-rail mountable TH35 or G32 (EN 60715)

Temperature range -20...+60 °C

Connection Screw terminals: max. 4 mm²

Dimensions H×W×D 85×45×64 mm

Description

Functional description Diode modules are suitable for the suppression of inductive loads (valve, contactor, etc.)

Commercial data

country of origin CZ

customs tariff number 85411000

EAN	4048879041928
eClass	27371010
Packaging unit	1.000