

MVK I/O COMPACT MODULE, METAL

Profibus DP, 4 analog Out / 8 multif. channels

Digital inputs/outputs

DIO4 DIO4 AO4

PROFIBUS 12 Mbit/s; M12, B-coded

7/8", 5-pole, 2× max. 9 A

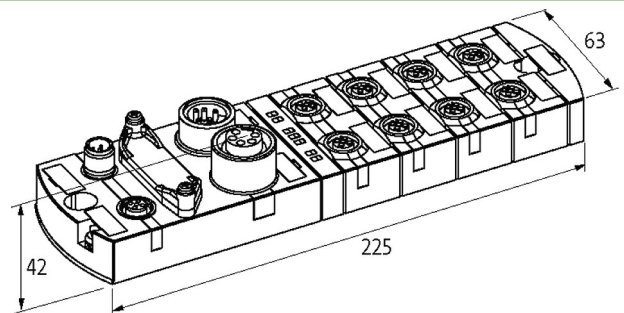
M12, 5-pole, A-coded

Connection cables are in the online shop under "Connection Technology".

Housing fully potted.

Link to Product

Illustration



Product may differ from Image



General data

Mounting method	2-hole screw mounting
Temperature range	0...+55 °C (storage temperature -20...+70 °C)
Protection	IP67
Dimensions H×W×D	42×63×225 mm

PROFIBUS

Addressing	Rotary switch 1...99
------------	----------------------

Output

Lamp load	10 W
Conversion time (analog)	1 ms
Input range (analog)	0...20 mA, 4...20 mA (0...10 V via adapter Art.-No. 7000-42252-0000000)
Actuator supply UA	24 V DC (EN 61131-2), max. 9 A
Switching current per output	max. 1.6 A (short-circuit and overload protected)

Input

Sensor supply US	24 V DC (EN 61131-2), max. 200 mA (M12 female), short-circuit and overload protected
Type	for 3-wire sensors or mechanical switches, PNP

Connections

Fieldbus	PROFIBUS 12 Mbit/s; M12, B-coded
Sensor-system/actuator supply	7/8", 5-pole, 2× max. 9 A
I/O ports	M12, 5-pole, A-coded

Diagnostic

Communication status	via LED
----------------------	---------

Diagnostic via LED	per module and channel
Diagnostic via BUS	per module and channel
Actuator warning	per channel via LED and BUS
Monitoring - under voltage	yes
Monitoring - no voltage	yes
Short-circuit and overload	yes
Cable break	per port

Commercial data

country of origin	DE
customs tariff number	85389099
EAN	4048879051590
eClass	27242604
Packaging unit	1.000