

MASI20 I/O MODULE RELAY

4 digital inputs, 4 digital relay outputs

Digital inputs/relay outputs

DI4 - 0.15 A DO4R - 2 A (AB)

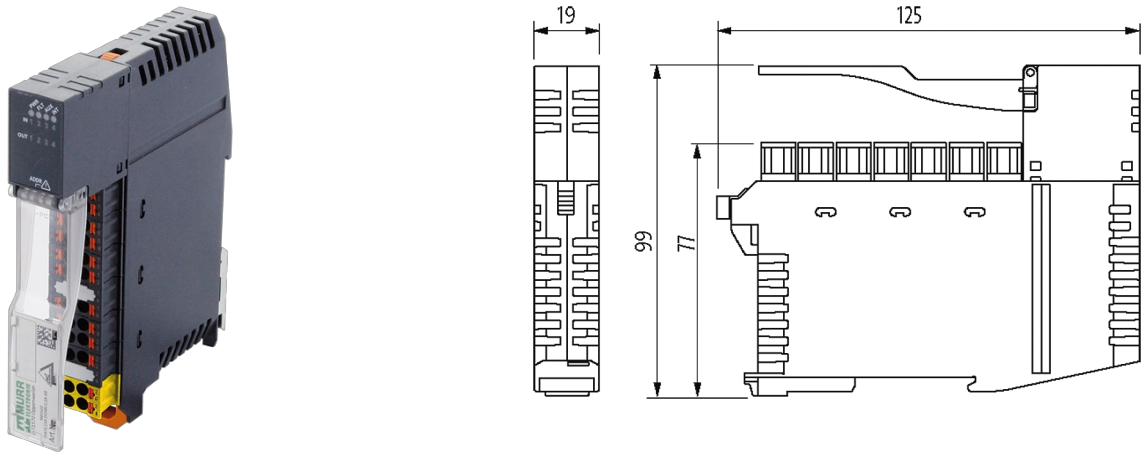
AB-Slave

Protection IP20

Current manuals can be downloaded at: www.murrelektronik.com

Link to Product

Illustration



Product may differ from Image



Technical Data

| | |
|------------------------------|---|
| Bus voltage (AS-Interface) | 26.5...31.6 V DC |
| Total current (AS-Interface) | max. 230 mA |
| Addressing | via built-in address port or master |
| Address range | 1...62 (1...31 A or B) via address port |
| Profile (IO/ID/ID2 code) | S-7.A.7 |

General data

| | |
|-------------------|---|
| Protection | IP20 |
| Connection | Push-In spring clamp terminals, 0.2...2.5 mm ² (0.25...1.5 mm ²) |
| Mounting method | DIN-rail mountable (EN 60715) |
| Temperature range | -25...+70 °C (storage temperature -25...+85 °C) |
| Dimensions H×W×D | 125×19×99 mm |

Output

| | |
|------------------------------|------------------|
| Supply voltage | 250 V AC/30 V DC |
| Switching current per output | 2 A |
| Total current | max. 8 A |

Input

| | |
|------------------|--|
| Supply voltage | alternatively (switchable) from AS-Interface or from 24 V DC (EN 61131-2) by additional supply |
| Sensor supply US | max. 150 mA externally or from AS Interface (short-circuit and overload protected) |
| Type | for 3-wire sensors or mechanical switches, PNP |

