

## Inductive coupler IO-Link V1.1 primary Male M12 M30

Port Class A

IO-Link Coupler (prim.)

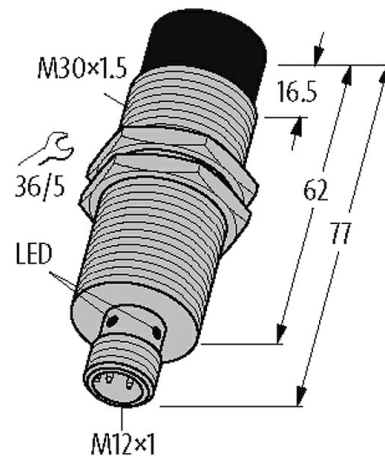
M12 (4-pole)

IO-Link V1.1

Connection cables are in the online shop under "Connection Technology".

### Link to Product

#### Illustration



Product may differ from Image

#### Technical Data

Standby power (coupled)	4 W
Standby power (uncoupled)	1 W
Nominal distance	0...7 mm (prim./sec.)
Invers-polarity protection	yes
Rotation	1250 rpm
Short-circuit protection	yes

#### General data

Temperature range	-20...+55 °C
Material (housing)	Brass, chrome plated
Labeling	Laser labelled
Protection	IP67/IP68
Dimensions HxWxD	30x30x77 mm

#### IO-Link

Specification	IO-Link V1.1
Port Class	A
Operating modes	COM2 (38.4 kbit/s)

#### Connections

IO-Link	M12 (male) 4-pole, A-coded
---------	----------------------------

#### Supply (prim.)

Operating voltage	24 V DC $\pm 10\%$
Operating current	750 mA

#### Diagnostic

Communication status	via LED
Diagnostic via LED	yes

**Commercial data**

country of origin	CZ
customs tariff number	85389099
EAN	4048879677912
eClass	27242604
Packaging unit	1.000