

MVP12, 6XM12, 4POLE, PLUGGABLE CABLE

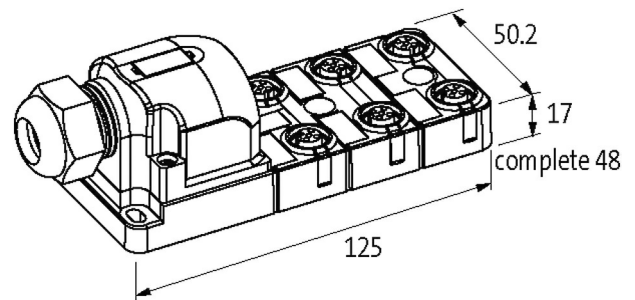
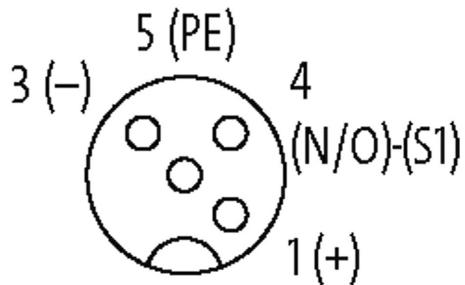
10.0m PUR/PVC 6x0,34+3x0,75

6-way, 4-pole

PUR/PVC

10.0 m

with LED for digital PNP-signals 24 V DC

[Link to Product](#)**Illustration****M12 Females 4-pole**

Product may differ from Image



UL

UL

Technical Data

Operating voltage	24 V DC $\pm 25\%$
Operating current per contact	max. 4 A
Protection	IP65 and IP67 when plugged and screwed down (EN 60529)
Material	PBT
Housing	Plastic, flame retardant
Signal per port	1 - (31-32)
Total current	max. 8 A

General data

Temperature range	-20...+80 °C
Dimensions HxWxD	125x50.2x17 mm

Cables	
No./diameter of wires	4x 0.34 mm ²
Wire isolation	PP (br, wh, bl, bk)
Outer Ø	5.9 mm ±5%
Cable identification	335
Cable Type	PUR-OB
Approval (cable)	UL (AWM-Style 20233/1992), CSA; CE conform
Cable weight [g/m]	56,1 g
Material (wire)	Cu wire, bare
Resistor (core)	max. 52 Ω/km (20 °C)
Single wire Ø (core)	0.1 mm
Diameter (core)	4x 0.34 mm ²
Material (wire isolation)	PP
Material property (wire isolation)	CFC-, halogen-, cadmium-, silicone- and lead-free
Shore hardness (wire isolation)	72 ±3 D
Wire-Ø incl. isolation	1.55 mm ±5%
Color/numbering of wires	br, bk, bl, wh
Stranding combination	4 wires twisted
Shield	yes
optical shield cover	min. 85%
Material (jacket)	PUR
Shore hardness (jacket)	85 ±3 A
Outer-Ø (jacket)	5.9 mm ±5%
Color (jacket)	gray
Jacket Color	gray
chemical resistance	good resistance to oil, gasoline and chemicals (VDE 0472 Teil 803 Test B)
thermal resistance	flame retardant UL VW1, CSA FT1
Nominal voltage	300 V AC
Test voltage	2000 V AC
Temperature range (fixed)	-40...+80 °C
Temperature range (fixed)	-40...+80 °C
Temperature range (mobile)	-20...+80 °C
Temperature range (mobile)	-20...+80 °C
Bend radius (fixed)	10x outer Ø
Bend radius (moving)	10x outer Ø
Material (jacket)	PUR (UL/CSA)
Commercial data	
country of origin	CZ
customs tariff number	85444290
EAN	4048879064606
eClass	27279219
Packaging unit	1.000