

EMC SUPPRESSOR FOR MOTOR

RC 3 BU/022-575VAC, star, AWG 20

3× 400 V AC

3× 575 V AC

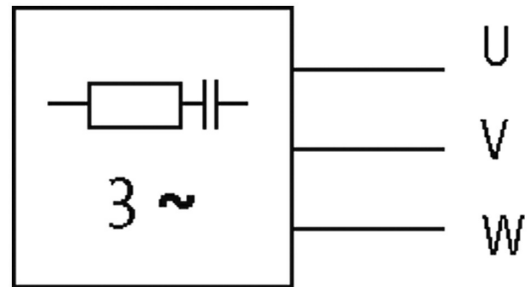
RC

For DIN-rail mounting use Art.-No. 20900 adapter feet

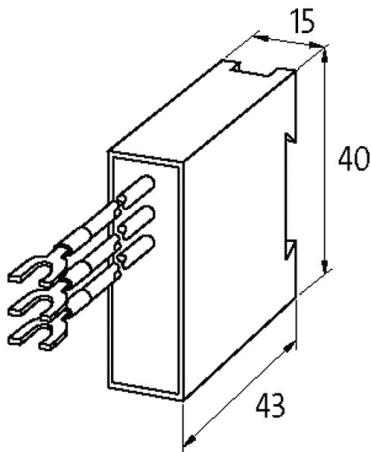
Suppressors for other voltages, frequencies, and motor ratings available on request. Do not use RC motor suppressors with frequency inverters.

[Link to Product](#)

Illustration



RC



Product may differ from Image



Technical Data

Frequency	50...60 Hz
Input voltage	575...575 V AC
Material	Flame retardant plastic acc. to (UL 94)
Potting compound	2-component epoxy

General data

Mounting method	DIN-rail mountable TH35 (EN 60715)
Temperature range	-20...+60 °C
Connection	approx. 70 mm, single cores 0.5 mm ² (with ferrule ends)
Dimensions H×W×D	43×15×40 mm

Commercial data

country of origin	CZ
customs tariff number	85363010
EAN	4048879015295
eClass	27371013
Packaging unit	10.000