

EMC SUPPRESSOR FOR MOTOR

RC 3 BU-575VVAC-7,5kW, AWG 22, VDR

3× 575 V AC

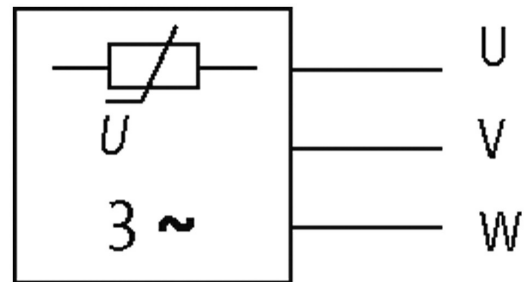
VDR

For DIN-rail mounting use Art.-No. 20900 adapter feet

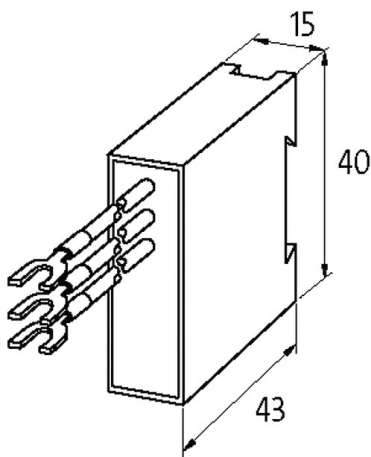
Suppressors for other voltages, frequencies, and motor ratings available on request. Do not use RC motor suppressors with frequency inverters.

[Link to Product](#)

Illustration



VDR



Product may differ from Image



Technical Data

Frequency	10...400 Hz
Input voltage	575...575 V AC
Material	Flame retardant plastic acc. to (UL 94)
Potting compound	2-component epoxy

General data

The information in this brochure has been compiled with the utmost care. Liability for the correctness completeness and topicality of the information is restricted to gross negligence. Version: 03/22

Murrelektronik Ltd. | 5 Albion Street, Pendlebury Industrial Estate, Swinton | Manchester M27 4FG | Fon +44 161 728 3133 | Fax +44 161 728 3130 | shop@murrelektronik.co.uk | shop.murrelektronik.co.uk

Mounting method	DIN-rail mountable TH35 (EN 60715)
Temperature range	-20...+60 °C
Connection	approx. 230 mm, single cores 0.35 mm ² self-securing fork terminal ends M4
Dimensions H×W×D	43×40×15 mm

Commercial data

country of origin	CZ
customs tariff number	85363010
EAN	4048879015424
eClass	27371013
Packaging unit	10.000