

MOTOR SUPPRESSOR

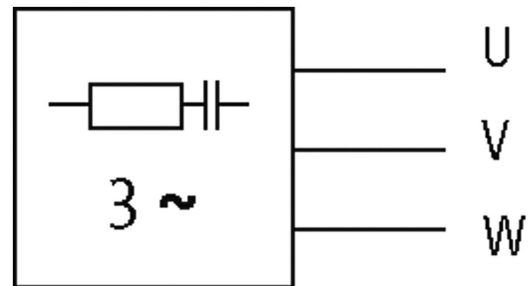
RC, 3x575VAC/5,5kW

3x 400 V AC

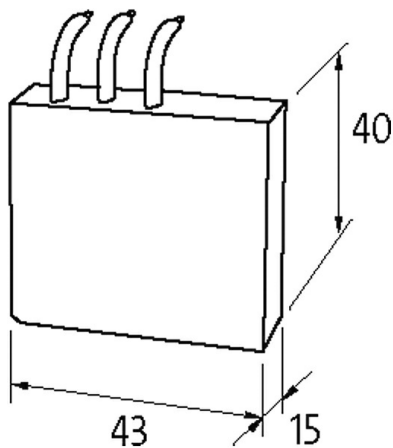
3x 575 V AC

RC

Suppressors for other voltages, frequencies, and motor ratings available on request. Do not use RC motor suppressors with frequency inverters.

[Link to Product](#)**Illustration**

RC



Product may differ from Image

**Technical Data**

Frequency	50...60 Hz
Input voltage	575...575 V AC
Material	Flame retardant plastic acc. to (UL 94)
Potting compound	2-component epoxy

General data

The information in this brochure has been compiled with the utmost care. Liability for the correctness completeness and topicality of the information is restricted to gross negligence. Version: 03/22

Mounting method	DIN-rail mountable TH35 (EN 60715)
-----------------	------------------------------------

Temperature range	-20...+60 °C
-------------------	--------------

Connection	Screw terminals
------------	-----------------

Dimensions H×W×D	40×43×15 mm
------------------	-------------

Appropriate contactors

Siemens 3 RT 10, 3 RT 20 screw terminal

Commercial data

country of origin	CZ
-------------------	----

customs tariff number	85363010
-----------------------	----------

EAN	4048879015448
-----	---------------

eClass	27371013
--------	----------

Packaging unit	1.000
----------------	-------