

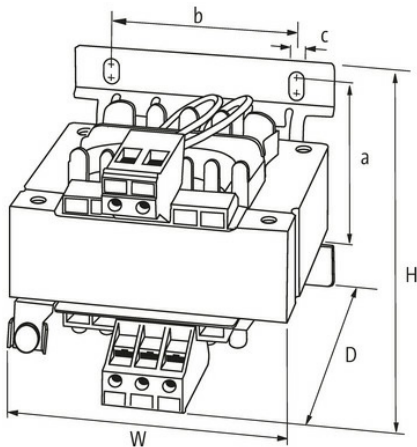
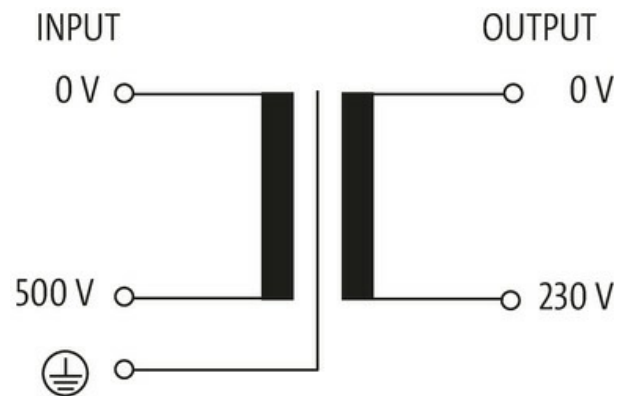
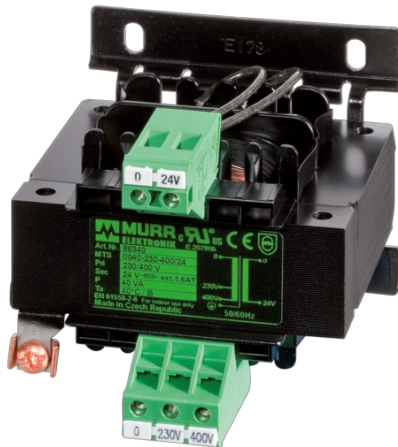
## MTS SINGLE-PHASE CONTROL AND ISOLATION TRANSFORMER

P:250VA IN:500VAC OUT:230VAC

Single-phase - Control and Isolation Transformers  
 250 VA  
 Isolation class T 40/B  
 Other voltages on request.

### [Link to Product](#)

#### Illustration



Product may differ from Image

#### General data

Standards	EN 61558-2-4, EN 62041 category 0
Mounting method	Screw and DIN-rail mounting
Temperature range	-20...+40 °C (storage temperature -40...+80 °C)
Test isolation voltage	6.3 kV (prim./sec.)
Drill hole Ø	4.8x8.4 mm
Fixing centers a×b×c	86.5×84×4.8 mm
Dimensions H×W×D	104×97×108 mm

#### Output

Output voltage	230 V AC
Output rating	250 VA

Input	
Input voltage	500 V AC
Inrush current	8.4 A (500 V AC)
Short-circuit current	11.2 A (500 V AC)
Input current	0.6 A (500 V AC)
Frequency	50...60 Hz

Commercial data	
country of origin	CZ
customs tariff number	85043180
EAN	4048879073752
eClass	27031202
Packaging unit	1.000