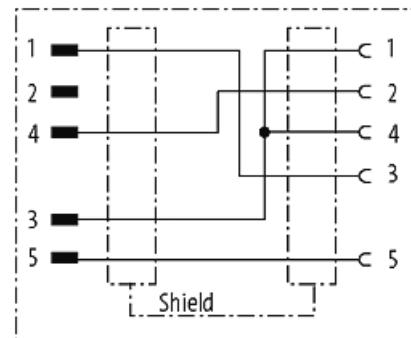
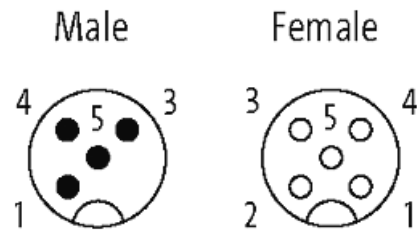
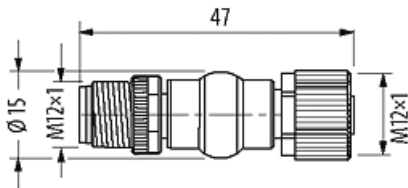


ADAPTOR M12 MALE 4 POLE/ M12 FEMALE 5 POLE SHIELDED

For analog sensors I-3, III-1/4, IV-2, V-5

Adapter
Male - female
M12 – M12, 5-pole
shielded

[Link to Product](#)**Illustration**

Product may differ from Image

**Form**

Form 42275

Technical Data

Operating voltage	max. 60 V AC/DC
Operating voltage (only UL listed)	max. 30 V AC/DC
Rated surge voltage	1.5 kV
Operating current per contact	max. 4 A
Locking of ports	Screw thread (M12×1 mm) recommended torque 0.6 Nm, self-securing
Protection	IP67 inserted and tightened (EN 60529)
Locking material	Zinc die casting, matte nickel plated
Material	PUR

General data

Temperature range -25...+85 °C

Test isolation voltage 0.8 kV eff/rms

Commercial data

country of origin	DE
customs tariff number	85366990
EAN	4048879342728
eClass	27143423
Packaging unit	1