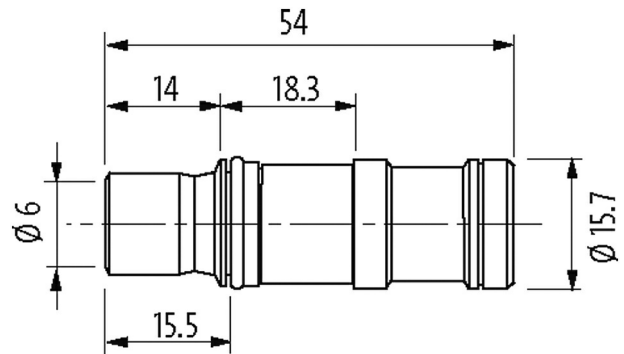


**MODL. VARIO insert for fixed housing type B**

6/4 shut-off, nickel plated brass

Insert - stationary housing  
 Brass, nickel plated  
 with shut-off  
 AD6

[Link to Product](#)**Illustration**

Product may differ from Image

**Form**

Form MVT1820-062406041

**Technical Data**

Protection	IP65, IP66K, IP67, IP68, IP69K inserted and tightened (EN 60529)
Material	Brass, nickel plated
Barrier	with

**General data**

Temperature range	-20...+120 °C
Pressure range	0...16 bar
Hose outer Ø	6 mm
Gasket	FPM

**Commercial data**

country of origin	DE
customs tariff number	74198090
EAN	4048879573764
eClass	27260702
Packaging unit	1.000