

M12 male 0° / M12 female 0° A-cod.

RADOX EM 104 4x0.34 shielded bk 7.5m

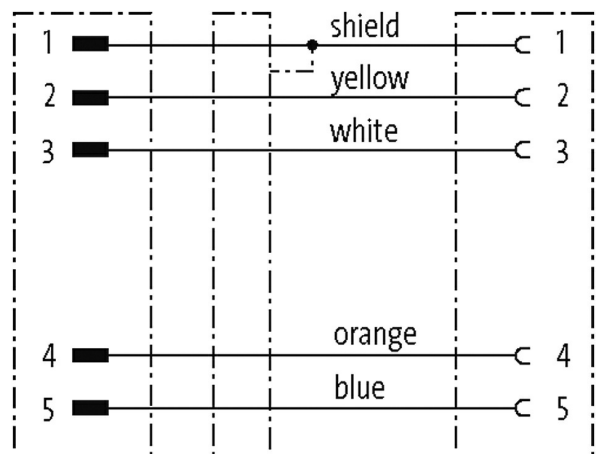
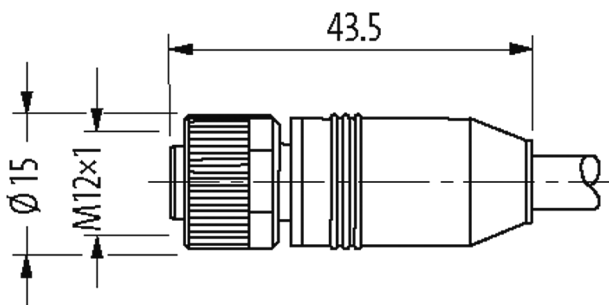
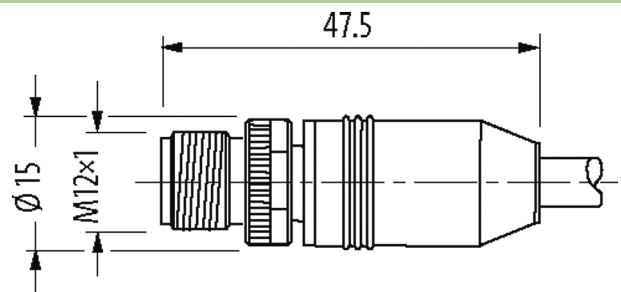
DeviceNet, CANopen
 Male straight – female straight
 M12 – M12, 5-pole
 shielded
 with cable sleeves

Plastic housings with good resistance against chemicals and oils.

The resistance to aggressive media should be individually tested for your application. Further details on request.
 Further cable lengths on request.

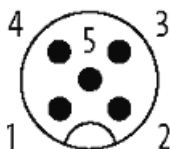
Link to Product

Illustration



Male

Female



Product may differ from Image



| Form | |
|---|--|
| Form | 40531 |
| Technical Data | |
| Operating voltage | max. 60 V AC/DC |
| Rated surge voltage | 1.5 kV |
| Operating current per contact | max. 4 A |
| Material group | IEC 60664-1, category I |
| Coding | A-coded |
| Locking of ports | Screw thread (M12×1 mm) recommended torque 0.6 Nm, self-securing |
| Compression gland | M12 (SW13) |
| Locking material | Zinc die casting, matte nickel plated |
| Material | PUR |
| suitable for corrugated tube (internal Ø) | without |
| General data | |
| Standards | DIN EN 61076-2-101 (M12) |
| Mounting method | inserted, tightened |
| Pollution Degree | 3 |
| Temperature range | -25...+85 °C, depending on cable quality |
| Cables | |
| Cable identification | R66 |
| Cable weight [g/m] | 77,00 |
| Material (wire) | Cu wire, tin plated |
| Resistor (core) | max. 55 Ω/km (20 °C) |
| Single wire Ø (core) | 0.18 mm |
| Construction (core) | 19× 0.18 mm |
| Diameter (core) | 4× 0.34 mm ² |
| AWG | similar to AWG 22 |
| Wire-Ø incl. isolation | 1.55 mm ±5% |
| Color/numbering of wires | wh, ye, bl, or |
| Shield | yes |
| Material (jacket) | Radox EM 104 |
| Outer-Ø (jacket) | 6.6 mm ±5% |
| Color (jacket) | black |
| Nominal voltage | 300 V AC |
| Test voltage | 2000 V AC |
| Temperature range (fixed) | -50...+90 °C |
| Temperature range (mobile) | -40...+90 °C |
| Bend radius (fixed) | 6× outer Ø |
| Bend radius (moving) | 10× outer Ø |
| Commercial data | |
| country of origin | DE |
| customs tariff number | 85444290 |
| EAN | 4048879672252 |
| eClass | 27061801 |
| Packaging unit | 1 |