

M12-PANEL FEED THROUGH A-CODED

Control cabinet entry system

Male - female

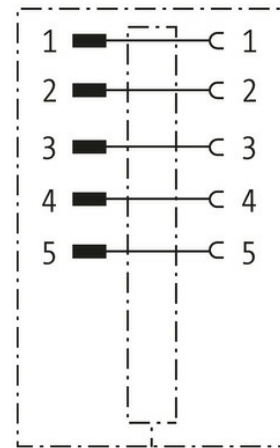
M12, 5-pole

A-coded

shielded

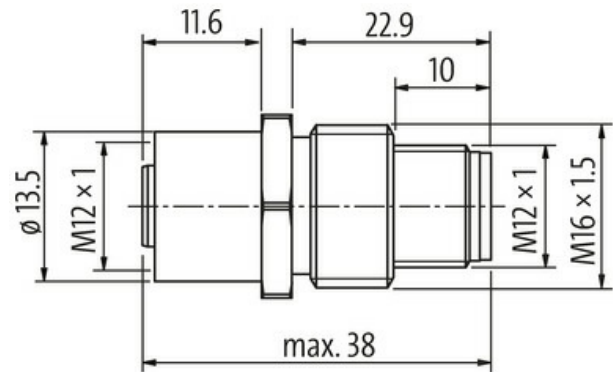
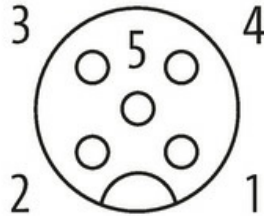
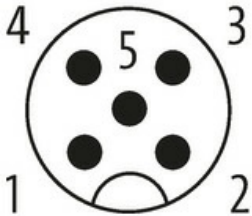
[Link to Product](#)

Illustration



Male

Female



Product may differ from Image

Form

Form 42111

Technical Data

Operating voltage max. 60 V AC/DC

Rated surge voltage 1.5 kV

Operating current per contact max. 4 A

Material group IEC 60664-1, category I

Coding A-coded

Locking of ports Screw thread (M12x1 mm) recommended torque 0.6 Nm, self-securing

Protection IP65 and IP67 when plugged and screwed down (EN 60529)

Material Brass, nickel plated

General data

Pollution Degree 2

Temperature range	-25...+85 °C
-------------------	--------------

Mounting set	M16×1.5 mm
--------------	------------

Commercial data

country of origin	CZ
-------------------	----

customs tariff number	85366990
-----------------------	----------

EAN	4048879143233
-----	---------------

eClass	27143423
--------	----------

Packaging unit	1.000
----------------	-------