

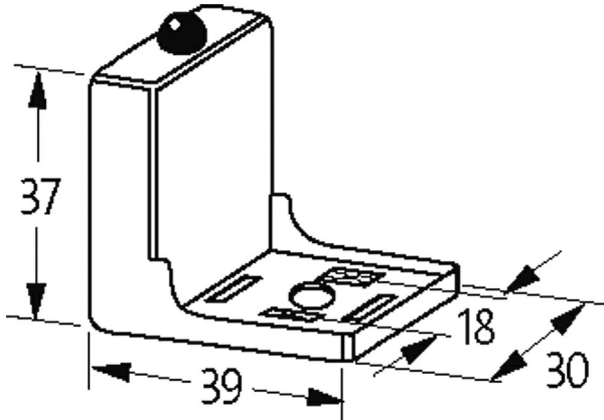
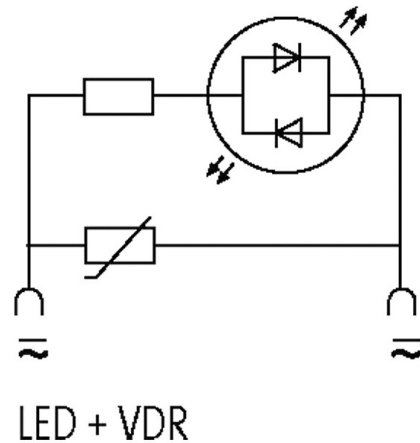
**VALVE PLUG SUPPRESSOR FORM A - 18MM**

Varistor and LED, 48VAC/DC/100VA/W

48 V AC/DC

VDR + LED

Remove plug gasket when fitting adapter. Other LED colors on request.

[Link to Product](#)**Illustration**

Product may differ from Image

**Technical Data**

Switch off peak	max. 75 V
LED display	(yellow opac)
Input voltage	24...53 V AC/DC
max. power (W)	max. 100 W (VA)
Switch off delay time	max. 10 ms

**General data**

Material (contact)	Silvered bronze
Temperature range	-20...+60 °C
Housing	Polyamide black, flame retardant, temperature resistance up to 130 °C
Dimensions H×W×D	37×39×30 mm

**Commercial data**

country of origin	CZ
-------------------	----

The information in this brochure has been compiled with the utmost care.  
Liability for the correctness completeness and topicality of the information is restricted to gross negligence. Version: 03/22

customs tariff number	85363010
EAN	4048879012195
eClass	27371013
Packaging unit	1.000