

MVK I/O COMPACT MODULE, METAL

CANopen, 16 multifunctionale channels

Digital inputs/outputs

DIO8 DIO8

CAN 1 Mbit/s; M12, A-coded

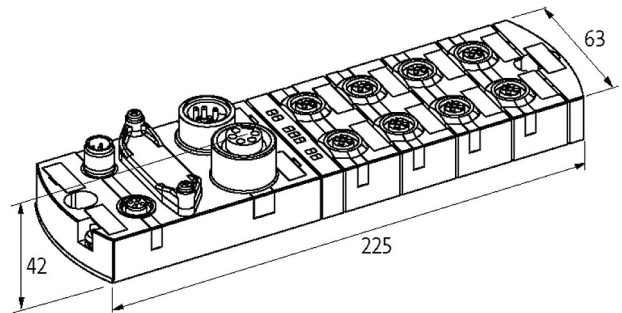
7/8", 5-pole, 2× max. 9 A

M12, 5-pole, A-coded

FSU (Fast-Start-Up)

Connection cables are in the online shop under "Connection Technology".

Housing fully potted.

[Link to Product](#)**Illustration**

Product may differ from Image

**General data**

Mounting method	2-hole screw mounting
Temperature range	0...+55 °C (storage temperature -20...+70 °C)
Protection	IP67
Dimensions HxWxD	42x63x225 mm

Module supply

Operating voltage	24 V DC (EN 61131-2)
-------------------	----------------------

Output

Lamp load	10 W
Actuator supply UA	24 V DC (EN 61131-2), max. 9 A
Switching current per output	max. 1.6 A (short-circuit and overload protected)

Input

Sensor supply US	24 V DC (EN 61131-2), max. 200 mA (M12 female), short-circuit and overload protected
Type	for 3-wire sensors or mechanical switches, PNP

Parameterization

PIN 4	Input/Output
PIN 2	Input/Output/Diagnostic

Connections

Fieldbus	CAN 1 Mbit/s; M12, A-coded
Sensor-system/actuator supply	7/8", 5-pole, 2× max. 9 A
I/O ports	M12, 5-pole, A-coded

CANopen

Addressing	Rotary switch 1...99
------------	----------------------

Diagnostic

Communication status	via LED
Diagnostic via LED	per module and channel
Diagnostic via BUS	per module and channel
Actuator warning	per channel via LED and BUS
Monitoring - under voltage	yes
Monitoring - no voltage	yes
Short-circuit and overload	yes
Cable break	per port

Commercial data

country of origin	DE
customs tariff number	85176200
EAN	4048879051491
eClass	27242604
Packaging unit	1.000