

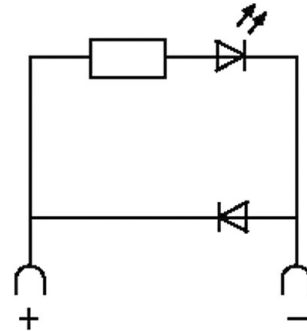
SIEMENS CONTACTOR SUPPRESSOR

Zener diode, 24VDC

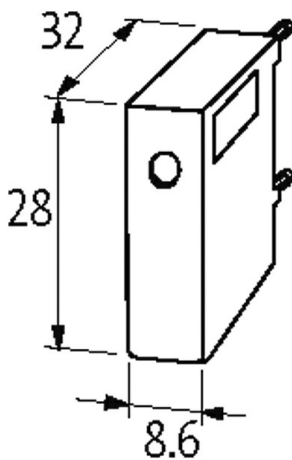
24 V AC/DC
Diode/Z-Diode

[Link to Product](#)

Illustration



Diode + LED



Product may differ from Image



Technical Data

Input voltage 12...240 V DC

General data

Dimensions H×W×D 28×8.6×32 mm

Appropriate contactors

Appropriate contactors 3 RH 1/11; 3 RT 1/3 RH1; 3 RT 1/10.15...10.17

Commercial data

country of origin DE

customs tariff number	85363010
EAN	4048879017626
eClass	27371013
Packaging unit	1.000