

## EUROCARD HOLDER

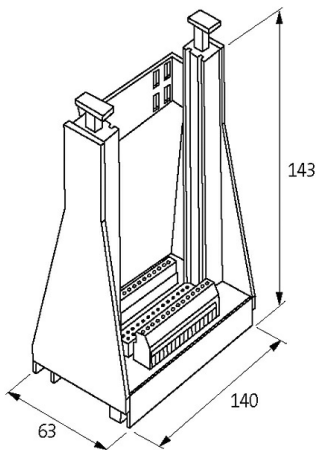
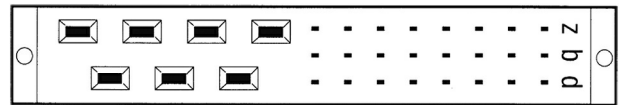
SKP 24/7-M-FK

Spring clamp terminals  
24-, 7-pole M (EN 60603)  
Row z, b, d

With the vertical snap adapter SASA 135 Art.-No. 63900 the holder can be mounted at right-angles on the rail.  
The D2 size is for a card without a front plate.

### Link to Product

#### Illustration



Product may differ from Image

#### Technical Data

Operating voltage	250 V AC (24-pole)/ 500 V AC (7-pole)
Operating current	max. 4 A (24-pole)/15 A (7-pole)
Material group	EN 60664-1 over voltage, category I
Material	Plastic, flame retardant
Configuration	24-, 7-pole M (EN 60603)

#### General data

Mounting method	DIN-rail mountable (EN 60715) or screw fixing
Connection	4 mm <sup>2</sup> single core
Dimensions H×W×D	63×137×170 mm

#### Description

Functional description	To insert the card first press down the 2 yellow buttons. Then slide the Eurocard into the guide slots pushing until fully engaged. The card is now locked into position. It can be removed by pressing down on the 2 yellow buttons.
------------------------	---

#### Commercial data

The information in this brochure has been compiled with the utmost care.  
Liability for the correctness completeness and topicality of the information is restricted to gross negligence. Version: 03/22

country of origin	CZ
customs tariff number	85366990
EAN	4048879038607
eClass	27260710
Packaging unit	1.000