

D/A-CONVERTER 8-BIT - OUTPUT 4 ... 20mA

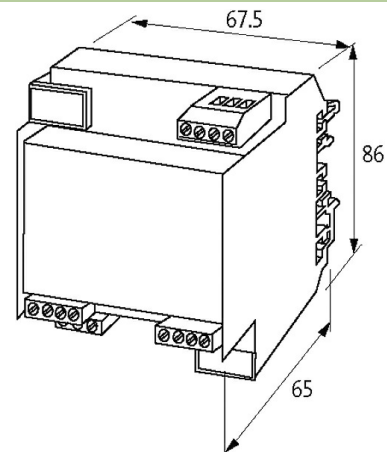
IN: 8 Bit - OUT: 4 ... 20mA

D/A converter

8 Bit

4...20 mA

Input and output galvanically separated

[Link to Product](#)**Illustration**

Product may differ from Image

Technical Data

Operating voltage	21...30 V DC, smoothed (with LED)
Operating current	100 mA (idle load), max. 150 mA (full load)
Tolerance	±1%

General data

Mounting method	DIN-rail mountable (EN 60715)
Temperature range	0...+50 °C
Test isolation voltage	2.5 kV
Dimensions HxWxD	65x67.5x86 mm

Output

Output current	max. 40 mA (0...10 V DC); max. 20 mA (0...20 mA), 4...20 mA
----------------	---

Input

Input signal	0...30 V DC (with LED display)
Input current	max. 10 mA/Bit

Description

Functional description	The maximum output signal of converters with voltage output can be adjusted to the operating voltage minus 2 V. The outputs are short-circuit protected and overload protected due to internal current limiting.
------------------------	--

Commercial data

country of origin	CZ
customs tariff number	85437090
EAN	4048879028615
eClass	27210990
Packaging unit	1.000