

## Impact67 PN DIO16 IRT 7/8" 5pin

Digital inputs/outputs

DIO16 (IRT)

Ethernet 10/100 Mbit/s; M12, D-coded

7/8", 5-pole, 2x max. 9 A

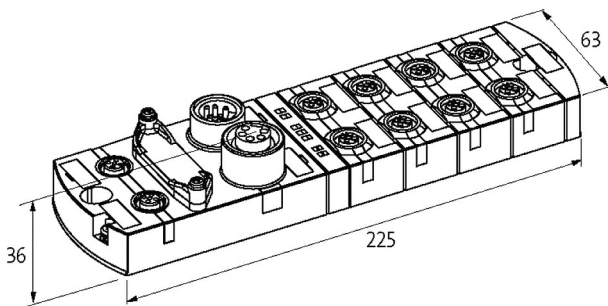
M12, 5-pole, A-coded

Connection cables are in the online shop under "Connection Technology".

Housing fully potted.

### Link to Product

#### Illustration



Product may differ from Image



#### General data

Mounting method	2-hole screw mounting, compatible with I/O modules of MVK model range
Temperature range	-25...+55 °C (storage temperature -25...+70 °C)
Protection	IP67
Dimensions H×W×D	39×63×225 mm

#### Output

Lamp load	10 W
Actuator supply UA	24 V DC (EN 61131-2), max. 9 A
Switching current per output	max. 1.6 A (short-circuit and overload protected)

#### Input

Sensor supply US	24 V DC (EN 61131-2), max. 200 mA (M12 female), short-circuit and overload protected
Type	for 3-wire sensors or mechanical switches, PNP

#### Parameterization

PIN 4	Input/Output (port X0...X7)
PIN 2	Input/Output (port X0...X7)

The information in this brochure has been compiled with the utmost care.

Liability for the correctness completeness and topicality of the information is restricted to gross negligence. Version: 03/22

Murrelektronik Ltd. | 5 Albion Street, Pendlebury Industrial Estate, Swinton | Manchester M27 4FG | Fon +44 161 728 3133 | Fax +44 161 728 3130 | shop@murrelektronik.co.uk | shop.murrelektronik.co.uk

**Connections**

Fieldbus	Ethernet 10/100 Mbit/s; M12, D-coded
Sensor-system/actuator supply	7/8", 5-pole, 2× max. 9 A
I/O ports	M12, 5-pole, A-coded

**PROFINET**

Specification	V2.3, Conformance Class C (IRT)
Addressing	DCP
FSU (Fast-Start-Up)	max. 500 ms
PROFINET Netload Class	III
Shared Device	yes, for 2 controls

**Diagnostic**

Communication status	via LED
Diagnostic via LED	per module and channel
Diagnostic via BUS	per module and channel
Actuator warning	per channel via LED and BUS
Monitoring - under voltage	yes
Monitoring - no voltage	yes
Cable break	per port

**Commercial data**

country of origin	DE
customs tariff number	85389099
EAN	4048879585453
eClass	27242604
Packaging unit	1.000