

EXACT8, 6XM8, 3 POLE

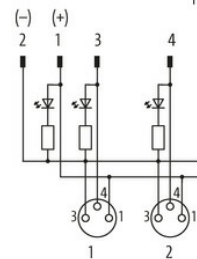
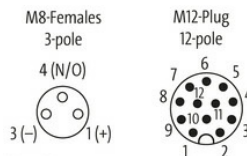
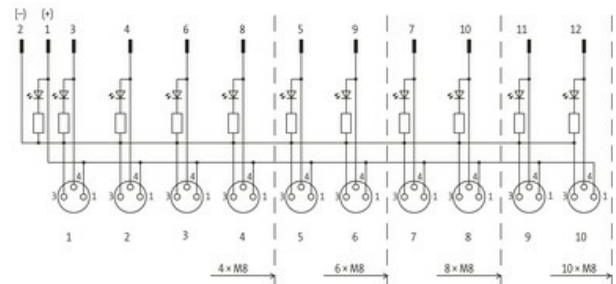
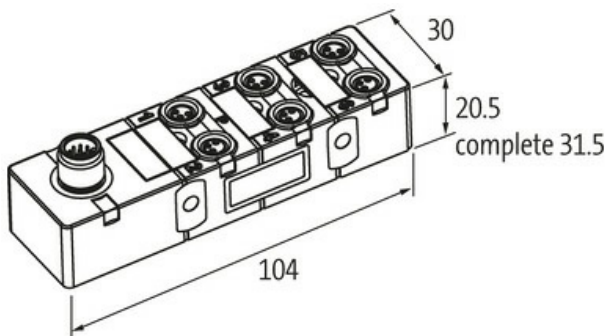
Conn.M12 12 pole

6-way, 3-pole

Inline face or side mounting

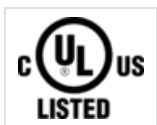
Plastic housings with good resistance against chemicals and oils.

The resistance to aggressive media should be individually tested for your application. Further details on request.

[Link to Product](#)**Illustration**

for 1 signal per port

Product may differ from Image

**Technical Data**

Operating voltage	24 V DC
Operating current per contact	max. 1.5 A
Protection	IP67 inserted and tightened (EN 60529)
Housing	Plastic, flame retardant

General data

Temperature range	-20...+70 °C, depending on cable quality
-------------------	--

Contact Layout

PIN 1	(+)
PIN 3	(-)

PIN 4	(NO)/(S1)
	LED (green): Power / LED (yellow): (S1)

Commercial data

country of origin	DE
customs tariff number	85369010
EAN	4048879055024
eClass	27143423
Packaging unit	1.000