

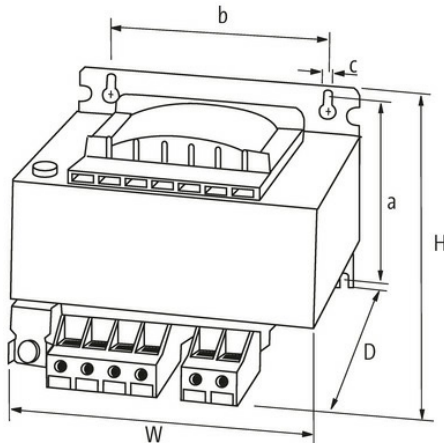
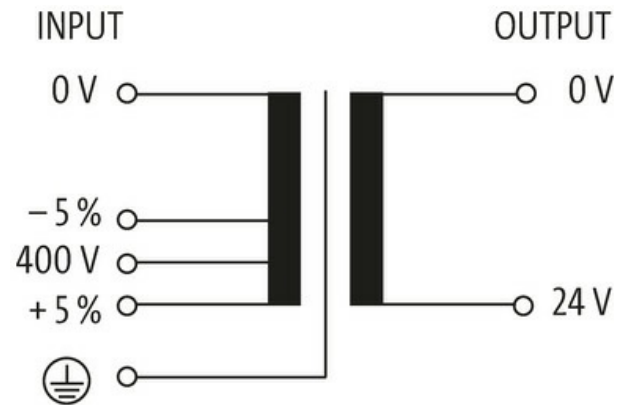
MET 1-PHASE SAFETY TRANSFORMER

P: 1000VA IN: 400VAC+/- 5% OUT: 24VAC

Single-phase safety transformer
1000 VA
Isolation class T 60/B

[Link to Product](#)

Illustration



Product may differ from Image



General data

Standards	EN 61558-1, EN 61558-2-6, EN 62041 category 0
Mounting method	Key-hole mounting
Temperature range	-20...+60 °C (storage temperature -40...+80 °C)
Test isolation voltage	4 kV (prim./sec.)
Drill hole Ø	7×11 mm
Fixing centers a×b×c	111.5×135×7 mm
Dimensions H×W×D	137×174×160 mm

The information in this brochure has been compiled with the utmost care.
Liability for the correctness completeness and topicality of the information is restricted to gross negligence. Version: 03/22

Murrelektronik Ltd. | 5 Albion Street, Pendlebury Industrial Estate, Swinton | Manchester M27 4FG | Fon +44 161 728 3133 | Fax +44 161 728 3130 | shop@murrelektronik.co.uk | shop.murrelektronik.co.uk

Output	
Output voltage	24 V AC (SELV)
Output rating	1000 VA
Input	
Input voltage	400 V AC \pm 5%
Inrush current	62.5 A (400 V AC)
Short-circuit current	79.4 A (400 V AC)
Input current	2.68 A (400 V AC)
Frequency	50...60 Hz
Commercial data	
country of origin	CZ
customs tariff number	85043180
EAN	4048879078870
eClass	27031302
Packaging unit	1.000