

MASI67 I/O MODULE

4 digital inputs

Digital inputs

DI4 - 0.2 A (AB) - 4× M12

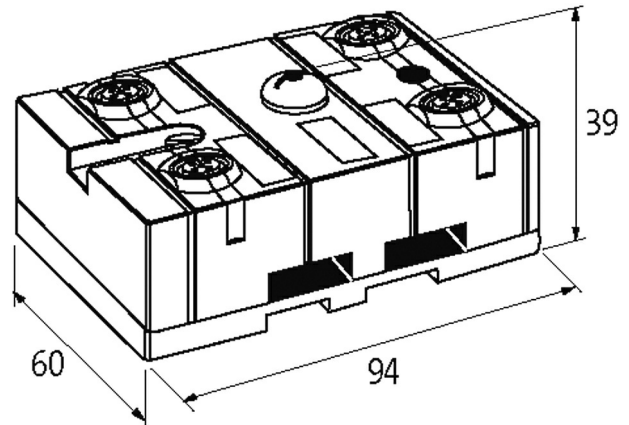
Y-wiring

Connection cables are in the online shop under "Connection Technology".

Housing fully potted.

Link to Product

Illustration



Product may differ from Image



Technical Data

Bus voltage (AS-Interface)	26.5...31.6 V DC
Profile (IO/ID/ID2 code)	S-0.A.2
Addressing	via built-in address port or master
Y-wiring	yes
Address range	1...62 (1...31 A or B)
Total current	max. 250 mA

General data

Mounting method	DIN-rail mountable (EN 60715) or screw fixing
Temperature range	-20...+60 °C (storage temperature -20...+70 °C)
Protection	IP67
Dimensions H×W×D	94×60×39 mm

Input

Sensor supply US	max. 170 mA from AS-Interface (short-circuit and overload protected)
Type	for 3-wire sensors or mechanical switches, PNP

Diagnostic

Communication status	via LED
Diagnostic via LED	per module
Diagnostic via BUS	yes

Commercial data

country of origin	DE
-------------------	----

customs tariff number	85176200
EAN	4048879049009
eClass	27242604
Packaging unit	1.000