

MTS SINGLE-PHASE CONTROL AND ISOLATION TRANSFORMER

P:63VA IN:400/690VAC OUT:230VAC

Single-phase - Control and Isolation Transformers

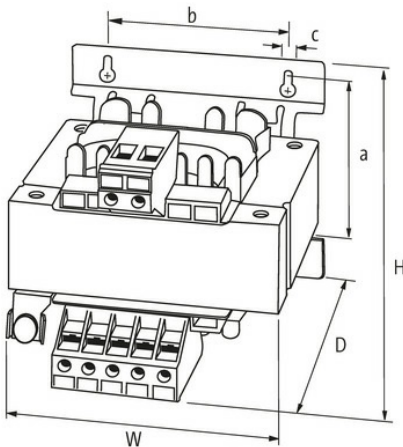
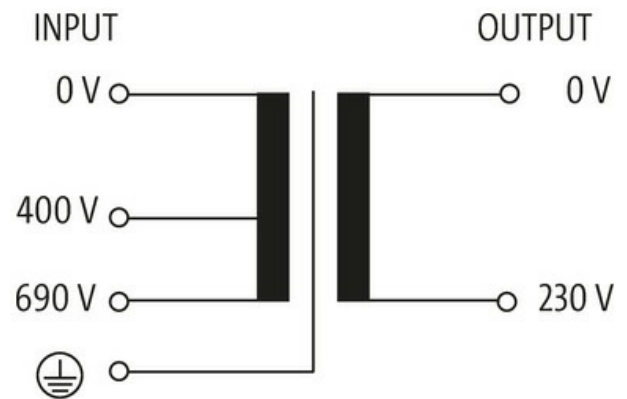
63 VA

Isolation class T 40/B

Other voltages on request.

[Link to Product](#)

Illustration



Product may differ from Image

General data

Standards	EN 61558-2-4, EN 62041 category 0
Mounting method	Screw and DIN-rail mounting
Temperature range	-20...+40 °C (storage temperature -40...+80 °C)
Test isolation voltage	6.5 kV
Drill hole Ø	4.8x8.4 mm
Fixing centers a×b×c	56×56×4.8 mm
Dimensions H×W×D	88×78×93 mm

Output

Output voltage	230 V AC
Output rating	63 VA

Input	
Input voltage	400/690 V AC
Inrush current	1.8 A (400 V AC)
Short-circuit current	2 A (400 V AC)
Input current	0.22 A (400 V AC); 0.13 A (690 V AC)
Frequency	50...60 Hz
Commercial data	
country of origin	CZ
customs tariff number	85043180
EAN	4048879073899
eClass	27031202
Packaging unit	1.000