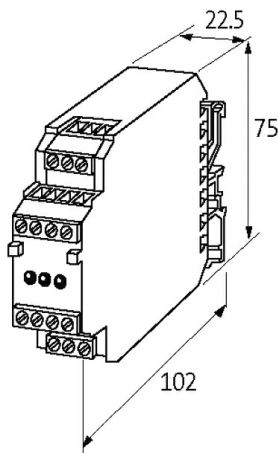
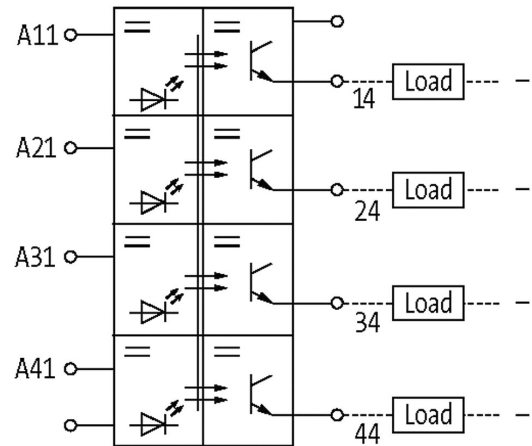


**AMS 4-10/44-2 OPTO-COUPLER MODULE**

In: 24 VDC - Out: 24 VDC / 2A

Transistor 2 A (4-way)  
4 NO contacts  
24 V DC

[Link to Product](#)**Illustration**

Product may differ from Image

**General data**

Mounting method	DIN-rail mountable TH35 or G32 (EN 60715)
Temperature range	-25...+50 °C
Test isolation voltage	2.5 kV
Housing	Black plastic, flame retardant
Dimensions HxWxD	75x22.5x102 mm

**Output**

The information in this brochure has been compiled with the utmost care.  
Liability for the correctness completeness and topicality of the information is restricted to gross negligence. Version: 03/22

Leakage current (output is open)	max. 0.01 mA
Switching time ON/OFF	1/5 ms
Saturation voltage (across output)	max. 0.05 V DC
Switching voltage	5...30 V DC
Switching frequency	max. 10/1 Hz (resist./ind.)
Switching current per output	1 mA...2 A

**Input**

Voltage range OFF	0...6 V DC
Voltage range ON	20...30 V DC
LED display	LED (yellow)
Input current	27 mA

**Commercial data**

country of origin	CZ
customs tariff number	85414900
EAN	4048879295451
eClass	27371604
Packaging unit	1.000