

MVP12, 4XM12, 5POLE, PLUGGABLE CABLE

3.0m PUR/PVC 8x0,34+3x0,75

4-way, 5-pole

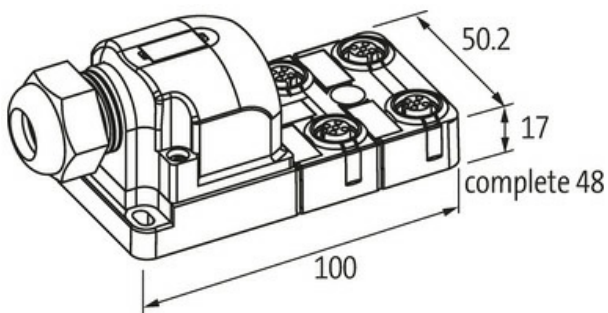
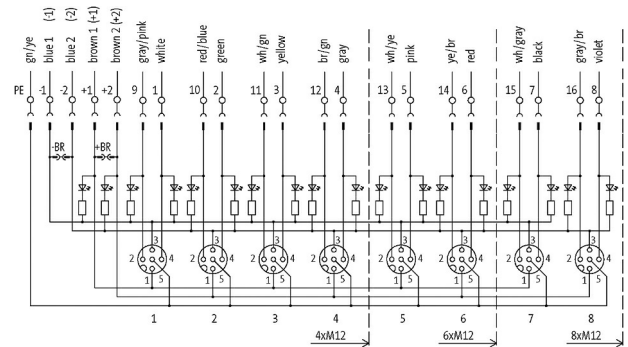
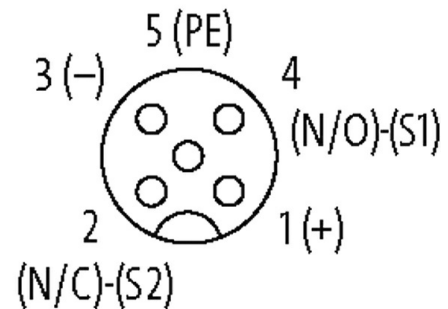
PUR/PVC

3.0 m

with LED for digital PNP-signals 24 V DC

Further cable lengths on request.

Plastic housings with good resistance against chemicals and oils.

Link to Product**Illustration****M12 Females 5-pole**

Product may differ from Image

**Technical Data**

Operating voltage	24 V DC $\pm 25\%$
Operating current per contact	max. 4 A
Locking of ports	Screw thread (M12x1 mm)
Protection	IP65 and IP67 when plugged and screwed down (EN 60529)
Material	PBT
Housing	Plastic, flame retardant
Signal per port	2

Total current max. 8 A

General data

Temperature range -20...+80 °C
Dimensions H×W×D 100×50.2×17 mm

Cables

No./diameter of wires 8× 0.34 + 3× 0.75 mm²
Wire isolation PVC
C-track properties 2 Mio.
Outer Ø 8.1 mm ±5%
Cable identification 363
Cable Type 2 (PUR/PVC)
Cable number 363
Approval (cable) UL (AWM-Style 21441/10955), CE conform
Cable weight [g/m] 115,5 g
Material (wire) Cu wire, bare
Resistor (core) max. 57 Ω/km (0.34 mm²), max. 26 Ω/km (0.75 mm²); (20 °C)
Single wire Ø (core) 0.15 mm (0.34 mm²); 0.2 mm (0.75 mm²)
Construction (core) 19× 0.15 mm (0.34 mm²); 24× 0.2 mm (0.75 mm²); (multi-strand wire class 5)
Diameter (core) 8× 0.34 + 3× 0.75 mm²
AWG similar to AWG 22 (0.34 mm²); similar to AWG 18 (0.75 mm²)
Material (wire isolation) PVC
Material property (wire isolation) CFC-, cadmium-, silicone- and lead-free
Shore hardness (wire isolation) 43 ±5 D
Wire-Ø incl. isolation 1.3 mm ±5% (0.34 mm²); 1.8 mm ±5% (0.75 mm²)
Color/numbering of wires wh, ye, gr, grp, rdbl, gn, whgn, brgn+bl, br, gnye longitudinally striped
Shield no
Material (jacket) PUR/PVC
Shore hardness (jacket) 87 ±5 A
Outer-Ø (jacket) 8.1 mm ±5%
Color (jacket) gray
Jacket Color gray
chemical resistance good resistance to oil, gasoline and chemicals (EN 60811-404)
Nominal voltage U0/U 300/300 V AC
Test voltage 2000 V AC
Current load capacity to DIN VDE 0298-4
Temperature range (fixed) -30...+80 °C
Temperature range (fixed) -30...+80 °C
Temperature range (mobile) -5...+70 °C
Temperature range (mobile) -5...+70 °C
Bend radius (fixed) 5× outer Ø
Bend radius (moving) 10× outer Ø
Bend radius (moving) 10× outer Ø
No. of bending cycles (C-track) max. 2 Mio. (25 °C)
Travel speed (C-track) max. 2 m/s
Acceleration (C-track) max. 10 m/s²
Material (jacket) PUR/PVC (UL/CSA)

Contact Layout

PIN 1 (+)
PIN 2 (NC)/(S2)
PIN 3 (-)
PIN 4 (NO)/(S1)
PIN 5 (Earth)

LED (green): Power / LED (yellow): (S1/S2)

Commercial data

country of origin	DE
customs tariff number	85369010
EAN	4048879064545
eClass	27279219
Packaging unit	1.000