

## MASI67 I/O MODULE

4 digital inputs

Digital inputs

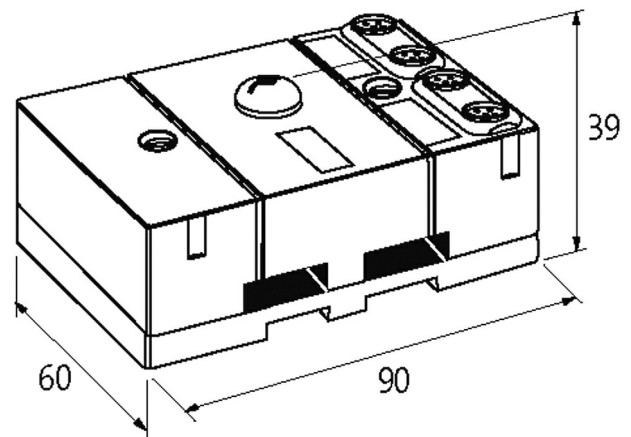
DI4 - 0.2 A (AB) - 4× M8

Connection cables are in the online shop under "Connection Technology".

Housing fully potted.

### [Link to Product](#)

#### Illustration



Product may differ from Image



#### Technical Data

Total current (AS-Interface)	max. 250 mA
Bus voltage (AS-Interface)	26.5...31.6 V DC
Profile (IO/ID/ID2 code)	S-0.A.0
Addressing	via built-in address port or master
Address range	1...62 (1...31 A or B)

#### General data

Mounting method	DIN-rail mountable (EN 60715) or screw fixing
Temperature range	-20...+60 °C (storage temperature -20...+70 °C)
Protection	IP67
Dimensions H×W×D	94×60×39 mm

#### Input

Sensor supply US	max. 200 mA from AS-Interface (short-circuit and overload protected)
Type	for 3-wire sensors or mechanical switches, PNP

#### Diagnostic

Communication status	via LED
Diagnostic via LED	per module
Monitoring - no voltage	yes

#### Commercial data

country of origin	DE
customs tariff number	85176200

EAN	4048879049061
eClass	27242604
Packaging unit	1.000