

MASI68 I/O MODUL

2 digital inputs and 2 digital outputs

Compact module

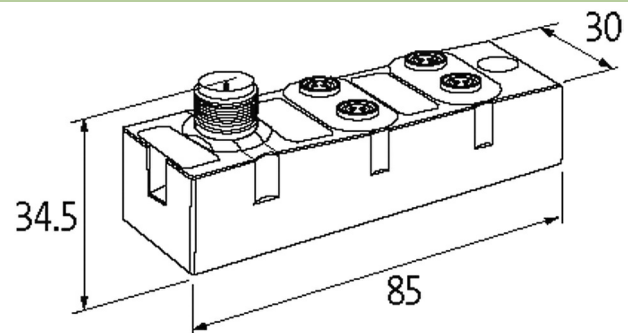
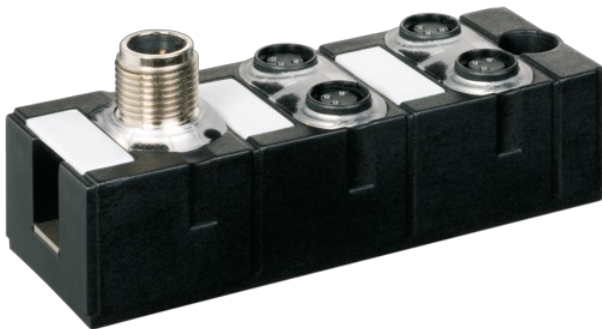
DI2 - 0.1 A DO2 - 0.5 A (C) - 4× M8 (AB)

Connection cables are in the online shop under "Connection Technology".

Housing fully potted.

Link to Product

Illustration



Product may differ from Image



Technical Data

Bus voltage (AS-Interface)	26.5...31.6 V DC
Profile (IO/ID/ID2 code)	S-7.A.E
Addressing	via master or M12 connection and programming device
Address range	1...62 (1...31 A or B)
Total current	max. 250 mA

General data

Mounting method	screw fixing
Temperature range	-20...+60 °C (storage temperature -20...+70 °C)
Protection	IP68
Dimensions H×W×D	85×30×34.5 mm

Output

Supply voltage	24 V DC external (18...30.2 V DC) EN 61131-2
Total current	max. 1.5 A
Switching current per output	max. 0.5 A (short-circuit and overload protected)

Input

Sensor supply US	max. 100 mA from AS-Interface (short-circuit and overload protected)
Type	for 3-wire sensors or mechanical switches, PNP

Connections

Fieldbus	A-coded
I/O ports	M8, 3-pole

Diagnostic

Communication status	via LED
Diagnostic via LED	per module

Monitoring - no voltage yes

Commercial data

country of origin	DE
customs tariff number	85176200
EAN	4048879373524
eClass	27242604
Packaging unit	1.000