

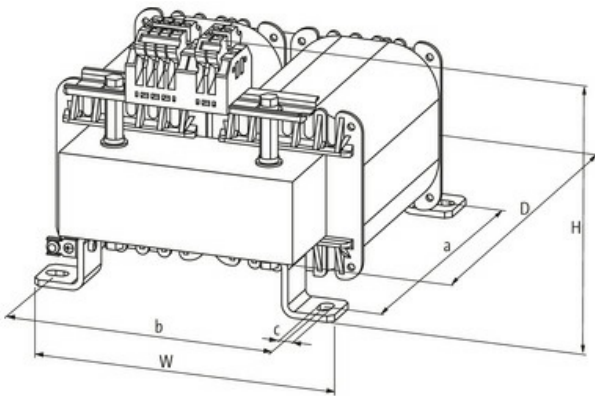
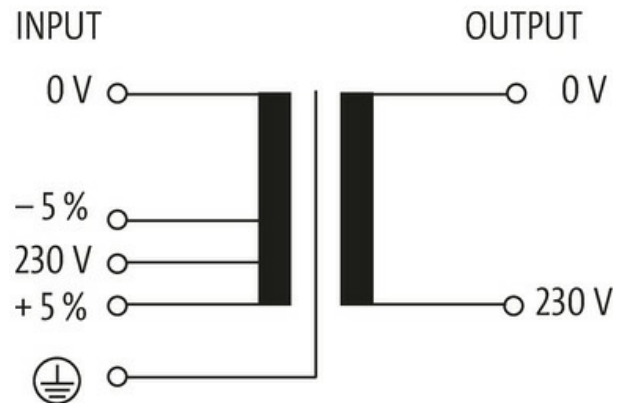
MET 1-PHASE CONTROL AND ISOLATION TRANSFORMER

P: 5000VA IN: 230VAC+/- 5% OUT: 230VAC

Single-phase - Control and Isolation Transformers
5000 VA
Isolation class T 40/B

[Link to Product](#)

Illustration



Product may differ from Image



General data

Standards	EN 61558-1, EN 61558-2-4, EN 62041 category 0
Mounting method	Long-hole mounting
Temperature range	-20...+40 °C (storage temperature -40...+80 °C)
Test isolation voltage	4 kV (prim./sec.)
Drill hole Ø	9×14 mm
Fixing centers a×b×c	200×174×9 mm
Dimensions H×W×D	225×198×250 mm

Output

The information in this brochure has been compiled with the utmost care.
Liability for the correctness completeness and topicality of the information is restricted to gross negligence. Version: 03/22

Output voltage	230 V AC
Output rating	5000 VA
Input	
Input voltage	230 V AC \pm 5%
Inrush current	562 A (230 V AC)
Short-circuit current	1257 A (230 V AC)
Input current	22.6 A (230 V AC)
Frequency	50...60 Hz
Commercial data	
country of origin	CZ
customs tariff number	85043200
EAN	4048879078771
eClass	27031302
Packaging unit	1.000