

RJ45 Heavy Duty male 90° down 8pol. Ethernet

Ethernet

Male 90°

90° on bottom

RJ45, 8-pole

Field-wireable

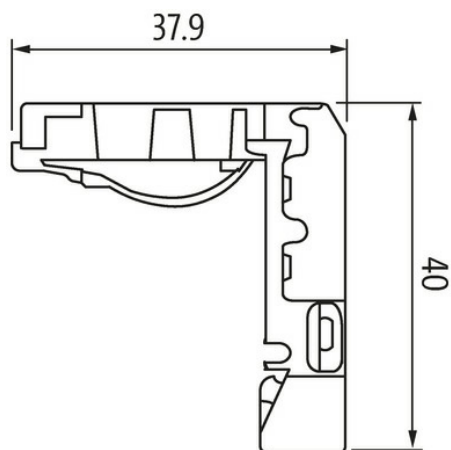
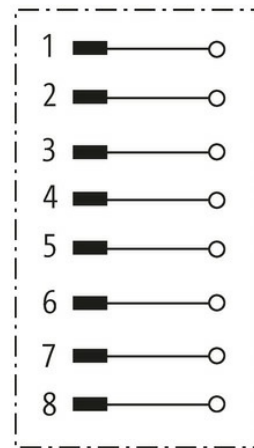
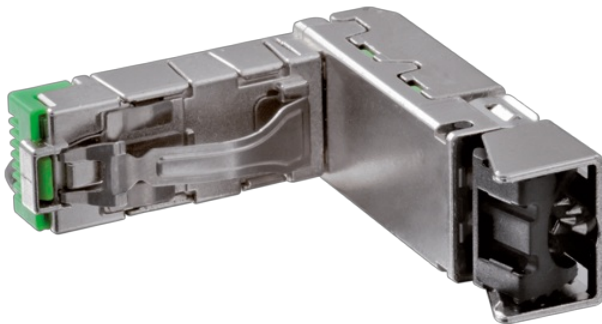
shielded

Protection IP20

The resistance to aggressive media should be individually tested for your application. Further details on request.

[Link to Product](#)

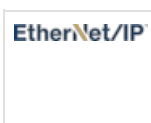
Illustration



Male



Product may differ from Image



Form

Form 74095

Technical Data

Operating voltage 50 V

Operating current	max. 1.75 A
No. of poles	8
Transfer parameters	CAT5e (ANSI/TIA/EIA-568-B.2-2001), CAT5 Class D nach ISO/IEC 11801
Transfer rate	1 Gbit/s
Frequency	max. 100 MHz
Mating cycles	min. 750
Connection	Quick connection technology
Connection cross section	0.14...0.25 mm ² (AWG 24...26)
Sealing range (cable Ø)	5...9 mm
Protection	IP20
Material	Zinc die casting
Over voltage category	1

General data

Material (contact)	Copper alloy
Material (contact surface)	Au
Temperature range	-40...+70 °C
Material (contact carrier)	PC

Commercial data

country of origin	PL
customs tariff number	85366990
EAN	4048879671217
eClass	27260705
Packaging unit	1.000