

RJ45 male 45° down / RJ45 male 45° down shielded

PVC 1x4xAWG22 shielded gn UL/CSA+drag ch. 20m

Ethernet CAT5

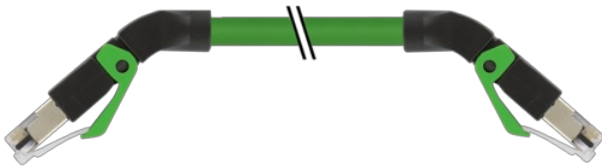
Male 45° down – male 45° down

RJ45 – RJ45, 4-pole
shielded

Further cable lengths on request.

Plastic housings with good resistance against chemicals and oils.

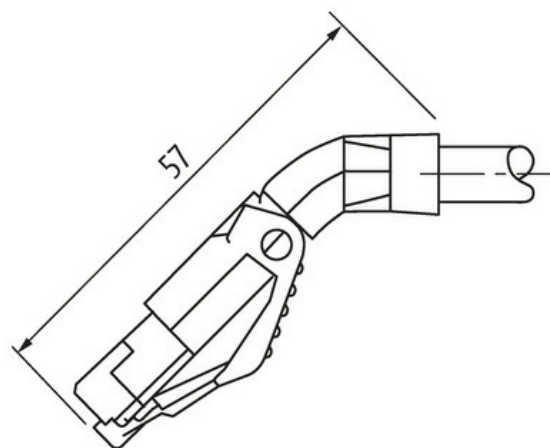
The resistance to aggressive media should be individually tested for your application. Further details on request.

[Link to Product](#)**Illustration**

Male



Male





Product may differ from Image



* only for products with UL/CSA approved cable

| Form | |
|---|--|
| Form | 74481 |
| Technical Data | |
| Operating voltage | max. 60 V DC |
| Operating voltage (only UL listed) | max. 30 V DC |
| Rated surge voltage | 1.0 kV |
| Operating current per contact | max. 1.5 A (20 °C) |
| Transfer parameters | CAT5, Class D (ISO/IEC 11801:2002), (EN 50173-1) |
| Transfer rate | up to 100 Mbit/s full duplex |
| Material group | IEC 60664-1, category I |
| Protection | IP20 |
| Material | PUR |
| suitable for corrugated tube (internal Ø) | without |
| General data | |
| Pollution Degree | 3 |
| Temperature range | -25...+85 °C, depending on cable quality |
| Cables | |
| Cable identification | 800 |
| Approval (cable) | UL (AWM-Style 2571/10578), CSA; CE conform; Profinet Guideline |
| Cable weight [g/m] | 73,7 g |
| Material (wire) | Cu wire, bare |
| Resistor (core) | max. 55 Ω/km (20 °C) |
| Construction (core) | 7 × 0.254 mm |
| Diameter (core) | 1 × 4 × AWG22/7 |
| AWG | similar to AWG 22 |
| Material (wire isolation) | PE |
| Shore hardness (wire isolation) | 55 ±5 D |
| Wire-Ø incl. isolation | 1.52 mm ±5% |
| Color/numbering of wires | wh, ye, bl, or |
| Shield | yes |
| optical shield cover | min. 85% |
| Material (jacket) | PVC |
| Shore hardness (jacket) | 85 ±5 A |
| Outer-Ø (jacket) | 6.5 mm ±5% |

| | |
|---------------------------------|--|
| Color (jacket) | green |
| chemical resistance | Oil resistance IEC 60811-2-1, ASTM Öle 1, ICEA S-82-552 Std. |
| thermal resistance | flammwidrig nach UL 1581 Section 1060 (FT1), Section 1061 (cable flame), IEC 60332-1-2 |
| Nominal voltage | 300 V AC |
| Test voltage | 2000 V AC (test duration 1 min) |
| Temperature range (fixed) | -30...+80 °C |
| Temperature range (mobile) | -10...+70 °C |
| Bend radius (fixed) | 5× outer Ø |
| Bend radius (moving) | 15× outer Ø |
| No. of bending cycles (C-track) | max. 2 Mio. (25 °C) |
| Travel speed (C-track) | max. 3.3 m/s |
| Acceleration (C-track) | max. 2 m/s |

Commercial data

| | |
|-----------------------|---------------|
| country of origin | DE |
| customs tariff number | 85444210 |
| EAN | 4048879702621 |
| eClass | 27279221 |
| Packaging unit | 1.000 |