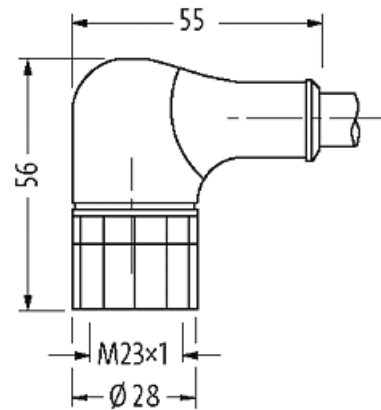


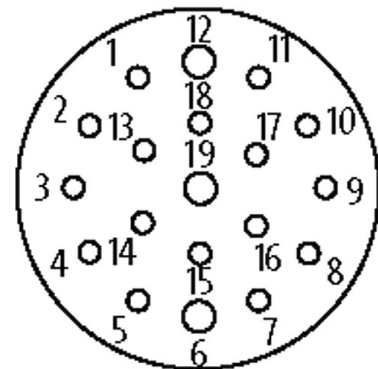
M23 female 90° with cable

PUR 16x0.5+3x1.0 gy UL/CSA+drag ch. 0.6m

Female 90°
M23, 19-pole
19-pole used
for 8-way distribution boxes, 5-pole

Link to Product**Illustration**

15	white
7	gray/pink
5	green
	red/blue
4	yellow
16	white/green
8	gray
3	brown/green
14	pink
17	white/yellow
9	red
2	yellow/brown
13	black
11	white/gray
10	violet
1	gray/brown
18	brown 1.0mm ²
19	blue 1.0mm ²
6	green/yellow 1.0mm ²
12	

Female

Product may differ from Image

**Form**

Form 23351

Technical Data

Operating voltage	max. 125 V AC/DC
Rated surge voltage	2.5 kV
Operating current per contact	max. 7.5 A
Material group	IEC 60664-1, category I
Locking of ports	Screw thread (M23×1 mm) recommended torque 2.0 Nm, self-securing

Compression gland	M23 (SW27)
Protection	IP67 inserted and tightened (EN 60529)
Locking material	Brass, nickel plated
Material	PUR
suitable for corrugated tube (internal Ø)	16 mm

General data

Pollution Degree	3
Temperature range	-5...+70 °C, depending on cable quality

Cables

Cable number	452
No./diameter of wires	16× 0.5 + 3× 1.0 mm ²
Wire isolation	TPE (grp, wh, rd, bl, gn, whgn, ye, brgn, gr, whye, pk, yebr, rd, whgr, bk, grbr, vi, br, bl, gnye)
C-track properties	5 Mio.
Jacket Color	gray
Material (jacket)	PUR (UL/CSA)
Outer Ø	11.5 mm ±5%
Bend radius (moving)	10× outer Ø
Temperature range (fixed)	-40...+80 °C
Temperature range (mobile)	-5...+80 °C
Cable identification	452
Approval (cable)	UL (AWM-Style 20233), CSA
Cable weight [g/m]	231,0
Material (wire)	Cu wire, bare
Resistor (core)	max. 39 Ω/km (0.5 mm ²); max. 20 Ω/km (1.0 mm ²); (20 °C)
Single wire Ø (core)	0.1 mm
Construction (core)	64× 0.1 mm (0.5 mm ²), 128× 0.1 mm (1.0 mm ²); (multi-strand wire class 6)
Diameter (core)	16× 0.5 + 3× 1.0 mm ²
AWG	similar to AWG 20 (0.5 mm ²); similar to AWG 17 (1.0 mm ²)
Material (wire isolation)	TPE-E
Shore hardness (wire isolation)	55 ±3 D
Wire-Ø incl. isolation	1.6 mm ±5% (0.5 mm ²); 2.1 mm ±5% (1.0 mm ²)
Material (jacket)	PUR
Outer-Ø (jacket)	11.6 mm ±5%
Color (jacket)	gray
chemical resistance	good resistance to oil, gasoline and chemicals
Nominal voltage	300/300 V AC
Test voltage	2000 V AC
Bend radius (moving)	10× outer Ø
No. of bending cycles (C-track)	max. 5 Mio.
Travel speed (C-track)	max. 2 m/s

Commercial data

country of origin	DE
customs tariff number	85444290
EAN	4048879577939
eClass	27279218
Packaging unit	1