

M12 male 90° D-cod. / RJ45 0° shielded

PUR 1x4xAWG22 shielded gn UL/CSA+robot 1.5m

Ethernet CAT5

The resistance to aggressive media should be individually tested for your application. Further details on request.

Male 90° – male straight

M12 – RJ45, 4-pole

D-coded

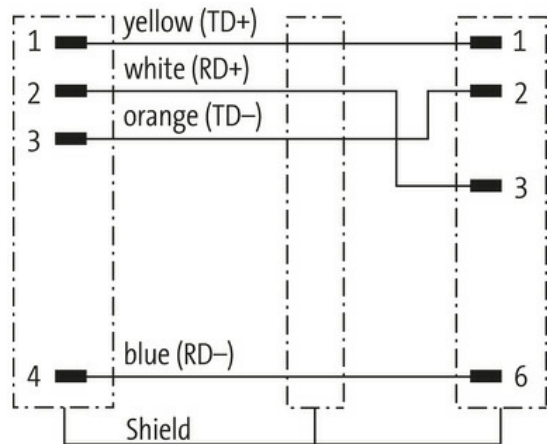
shielded

8-pole partly used

Transmission properties with channel transmission up to 100 m

Further cable lengths on request.

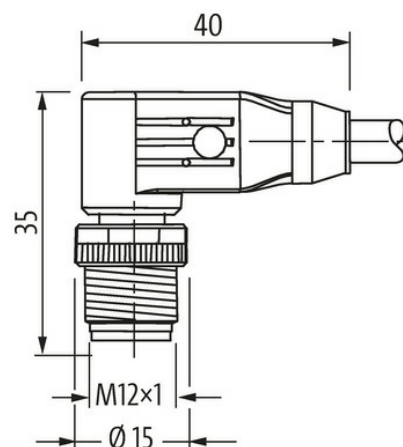
Plastic housings with good resistance against chemicals and oils.

[Link to Product](#)**Illustration**

Male

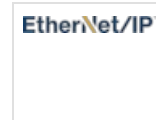


Male





Product may differ from Image



* only for products with UL/CSA approved cable

| Form | |
|---|--|
| Form | 44761 |
| Technical Data | |
| Operating voltage | max. 60 V DC |
| Operating voltage (only UL listed) | max. 30 V DC |
| Rated surge voltage | 1.0 kV |
| Operating current per contact | max. 1.5 A (20 °C) |
| Transfer parameters | CAT5, Class D (ISO/IEC 11801:2002), (EN 50173-1) |
| Transfer rate | up to 100 Mbit/s full duplex |
| Material group | IEC 60664-1, category I |
| Coding | M12, D-coded |
| Locking of ports | Screw thread (M12×1 mm) recommended torque 0.6 Nm, self-securing |
| Compression gland | M12 (SW13) |
| Protection | IP67 (M12) - IP20 (RJ45) |
| Material | PUR |
| Locking material | Zinc die casting, matte nickel plated |
| suitable for corrugated tube (internal Ø) | without |
| General data | |
| Standards | DIN EN 61076-2-101 (M12) |
| Pollution Degree | 3 |
| Temperature range | -25...+85 °C, depending on cable quality |
| Cables | |
| Cable identification | 793 |
| Approval (cable) | cURus (AWM style 20549/10578); CE compliant |
| Cable weight [g/m] | 69,3 g |
| Material (wire) | Cu wire, tin plated |
| Resistor (core) | max. 60 Ω/km (20 °C) |
| Single wire Ø (core) | 0.16 mm |
| Construction (core) | 19× 0.160 mm |
| Diameter (core) | 1× 4× AWG22/19 |
| Material (wire isolation) | PE |
| Wire-Ø incl. isolation | 1.6 mm ±5% |
| Color/numbering of wires | wh, ye, bl, or |
| Shield | yes |

| | |
|----------------------------|---|
| optical shield cover | min. 85% |
| Material (jacket) | PUR |
| Outer-Ø (jacket) | 6.6 mm ±5% |
| Color (jacket) | green |
| chemical resistance | Oil resistance IEC 60811-2-1, ASTM Öle 1, ICEA S-82-552 Std. |
| thermal resistance | flame-retardant according to UL 1581 section 1090, section 1100 (FT2), IEC 60332-1-2 Std. |
| Nominal voltage | 300 V |
| Test voltage | 2000 V AC (test duration 1 min) |
| Temperature range (fixed) | -40...+80 °C |
| Temperature range (mobile) | -20...+60 °C |
| Bend radius (fixed) | 8× outer Ø |
| Bend radius (moving) | 12× outer Ø |
| Torsion stress | ±180°/m |
| No. of torsion cycles | max. 4 Mio. (25 °C) |

Commercial data

| | |
|-----------------------|---------------|
| country of origin | DE |
| customs tariff number | 85444290 |
| EAN | 4048879829403 |
| eClass | 27061801 |
| Packaging unit | 1.000 |