

M12 MALE 90° B CODED SHIELDED WIREABLE SCREW TERM.2 POLE max. 0.75mm² 6-8mm PROFIBUS

PROFIBUS

Male 90°

M12, 2-pole

B-coded

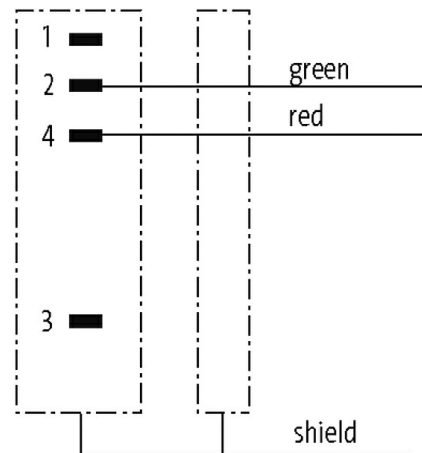
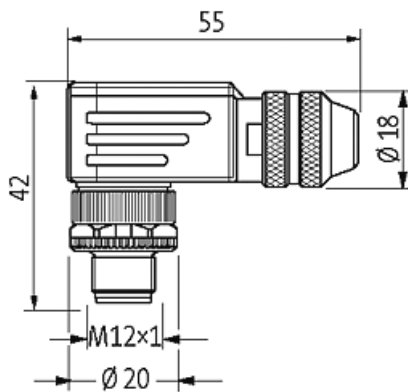
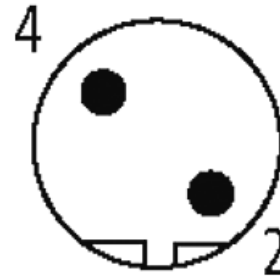
shielded

Sealing range (cable Ø): 6...8 mm

Screw terminals

[Link to Product](#)**Illustration**

Male



Product may differ from Image

Form

Form 14015

Technical Data

| | |
|-------------------------------|--|
| Operating voltage | max. 60 V AC/DC |
| Operating current per contact | max. 4 A |
| Connection cross section | max. 0.75 mm ² |
| Sealing range (cable Ø) | 6...8 mm |
| Protection | IP67 inserted and tightened (EN 60529) |
| Housing | Brass, nickel plated |

General data

| | |
|-------------------|--------------|
| Temperature range | -25...+85 °C |
|-------------------|--------------|

Commercial data

| | |
|-----------------------|---------------|
| country of origin | DE |
| customs tariff number | 85366990 |
| EAN | 4048879419154 |
| eClass | 27279221 |
| Packaging unit | 1 |