

## M12 DISTRIBUTOR BOX 6-WAY, 5-POLE, W/O LED, CNOMO

MVD6-U-XA M23 connector 19-pole

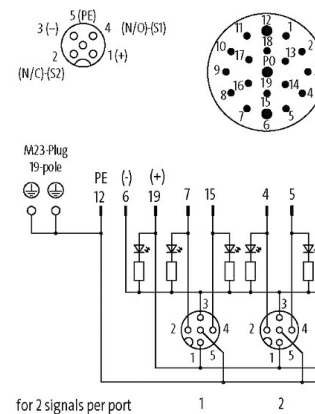
6-way, 5-pole  
M23 plug connection  
19-pole used  
without LED  
Further cable lengths on request.

### [Link to Product](#)

#### Illustration



M12-Females 5-pole      M23-Plug 19-pole



for 2 signals per port

Product may differ from Image

#### Technical Data

Operating voltage	24 V DC
Operating current per contact	max. 4 A
Locking of ports	Screw thread (M12×1 mm)
Signal per port	2
Total current	max. 10 A

#### General data

Temperature range	-20...+80 °C
Protection	IP67 inserted and tightened (EN 60529)
Dimensions H×W×D	127×54×25 mm

#### Contact Layout

PIN 1	(+)
PIN 2	(NC)/(S2)
PIN 3	(-)
PIN 4	(NO)/(S1)
PIN 5	(Earth)

#### Commercial data

country of origin	CZ
customs tariff number	85369010
EAN	4048879000253
Packaging unit	1.000