

**MSUD valve plug A-18mm with cable**

PUR 3x0.75 bk UL/CSA+robot+drag ch. 10m

MSUD

Form A (18 mm)

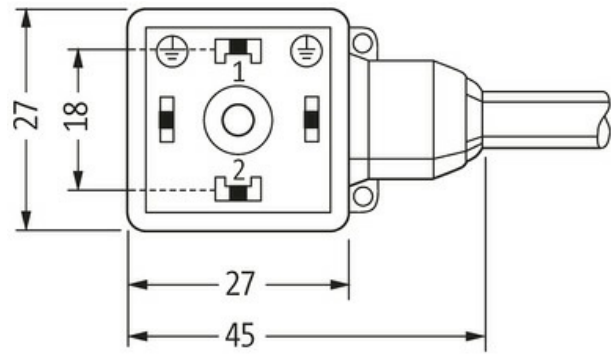
0...230 V AC/DC

without components

Further cable lengths on request.

Plastic housings with good resistance against chemicals and oils.

The resistance to aggressive media should be individually tested for your application. Further details on request.

[Link to Product](#)**Illustration**

Height: 30 mm

Product may differ from Image



\* only for products with UL/CSA approved cable

**Form**

Form 18081

**Technical Data**

|                               |                  |
|-------------------------------|------------------|
| Operating voltage             | max. 230 V AC/DC |
| Rated surge voltage           | 4.0 kV           |
| Operating current per contact | max. 10 A        |

|                  |  |
|------------------|--|
| Material group   | IEC 60664-1, category I                |
| Locking of ports | M3 (recommended torque 0.4 Nm)         |
| Protection       | IP67 inserted and tightened (EN 60529) |
| Material         | PBT                                    |
| Housing          | Black plastic (gray on request)        |

**General data**

|                   |  |
|-------------------|--|
| Pollution Degree  | 3  |
| Temperature range | -25...+85 °C, depending on cable quality |

**Cables**

|                                    |   |
|------------------------------------|---|
| Cable identification               | 656   |
| Cable Type                         | 5 (PUR schweißfunkenbeständig)  |
| Approval (cable)                   | cURus (AWM-Style 20549/10493); CE conform   |
| Cable weight [g/m]                 | 48,4 g  |
| Material (wire)                    | Cu wire, bare   |
| Resistor (core)                    | max. 26 Ω/km (20 °C)  |
| Single wire Ø (core)               | 0.15 mm   |
| Construction (core)                | 42× 0.15 mm (multi-strand wire class 6)   |
| Diameter (core)                    | 3× 0.75 mm <sup>2</sup>   |
| AWG                                | similar to AWG 18   |
| Material (wire isolation)          | PP  |
| Material property (wire isolation) | CFC-, halogen-, cadmium-, silicone- and lead-free   |
| Shore hardness (wire isolation)    | 58 ±3 D   |
| Wire-Ø incl. isolation             | 1.7 mm ±5%  |
| Color/numbering of wires           | bk numbered, gnye longitudinally striped  |
| Stranding combination              | 3 wires twisted   |
| Shield                             | no  |
| Material (jacket)                  | PUR   |
| Material property (jacket)         | CFC-, halogen-, cadmium-, silicone- and lead-free, matt, low-adhesion, machine easy to process, abrasion-resistant, hydrolysis-, microbial- and welding spark resistant |
| Shore hardness (jacket)            | 58 ±3 D   |
| Outer-Ø (jacket)                   | 5.2 mm ±5%  |
| Color (jacket)                     | black   |
| chemical resistance                | good resistance to oil, gasoline and chemicals (EN 60811-404)   |
| thermal resistance                 | flame retardant UL, FT2, IEC 60332-1, IEC 60332-2-2, welding spark resistant  |
| Nominal voltage                    | 300 V AC  |
| Test voltage                       | 2500 V AC   |
| Current load capacity              | to DIN VDE 0298-4   |
| Temperature range (fixed)          | -40...+80 °C, (+90 °C at max. 10 000 operating hours)   |
| Temperature range (mobile)         | -25...+80 °C, (+90 °C at max. 10 000 operating hours)   |
| Bend radius (fixed)                | 5× outer Ø  |
| Bend radius (moving)               | 10× outer Ø   |
| No. of bending cycles (C-track)    | max. 10 Mio. (25 °C)  |
| Travel speed (C-track)             | max. 3.3 m/s  |
| Acceleration (C-track)             | max. 5 m/s <sup>2</sup>   |
| Torsion stress                     | ±360°/m   |
| No. of torsion cycles              | max. 1 Mio. (25 °C)   |
| Torsion speed                      | 35 cycles/min   |

**Commercial data**

|                       |               |
|-----------------------|---------------|
| country of origin     | CZ            |
| customs tariff number | 85444290      |
| EAN                   | 4048879575331 |
| eClass                | 27279218      |
| Packaging unit        | 1.000         |

The information in this brochure has been compiled with the utmost care.

Liability for the correctness completeness and topicality of the information is restricted to gross negligence. Version: 03/22

